

The power behind your lights



Model: JDV-12240DR Dimension: 124x54x110mm
 JDV-24240DR
 JDV-48240DR

Brief Information

For Din-Rail
 TS35X7.5/TS35X15

240W

Din-Rail Power Supply

Model JDV-12240DR / JDV-24240DR / JDV-48240DR
 Input 100-250V AC
 Output 12VDC 16.7A 200W / 24VDC 10A 240W
 48VDC 5A 240W

Product Features

- High transfer efficiency
- Stable constant voltage output
- Withstand 300VAC surge input for 5s
- 100% full loading, 100% burn-in tested
- Overload/short circuit protection
- Low standby power consumption
- Low ripple & noise

MAIN ELECTRICAL DATA

AC Input

| | |
|-------------------|------------------------|
| Input Voltage | 100-250V |
| Input Frequency | 50/60Hz |
| Efficiency (Typ.) | 93% |
| Input Current | 230V: 3A 120V: 1.5A |
| Inrush Current | 30A@230V 15A@110V |
| Leakage Current | 0.5mA/230VAC |
| Power Factor | >0.95 |

DC Output

| | | | |
|-----------------------|---------------|---------------|---------------|
| Output Voltage | 12V | 24V | 48V |
| Rated Current | 16.7A | 10A | 5A |
| Rated Power | 200W | 240W | 240W |
| Ripple & Noise (Max.) | <150mVp-p | <150mVp-p | <150mVp-p |
| Setup, Rise Time | 1500ms/230VAC | 1500ms/230VAC | 1500ms/230VAC |
| Line Regulation | 0.5% | 0.5% | 0.5% |
| Load Regulation | 1% | 1% | 1% |

Service Environment

| | |
|------------------|---|
| Working Temp. | -30°C~70°C (refer derating curve on P2) |
| Working Humidity | 20~90%RH |
| Storage Temp. | -40°C~80°C |
| Storage Humidity | 10~90%RH |

Protection

| | |
|---------------|-----------------------------------|
| Overload | Yes, hiccup mode |
| Short Circuit | Hiccup, continuous, self-recovery |

Safety

| | |
|----------------------|---|
| Withstand Voltage | I/P-O/P: 4000VAC/1min/<5mA |
| Isolation Resistance | I/P-O/P: >100M Ohms / 500VDC /25°C / 70%RH |

EN55032 CLASS B
 EN55032 CLASS B
 IEC/EN61000-3-2 CLASS A
 IEC/EN61000-4-2 Contact ±4KV/Air ±8KV Perf. Criteria A
 IEC/EN61000-4-3 10V/m Perf. Criteria A
 IEC/EN61000-4-4 ±4KV Perf. Criteria B
 IEC/EN61000-4-5 Line to line ±2KV Perf. Criteria A
 IEC/EN61000-4-6 10Vr.m.s Perf. Criteria A
 IEC/EN61000-4-11 100% dip 1 periods, 30% dip 25 periods,
 100% interruptions 250 periods Perf. Criteria B

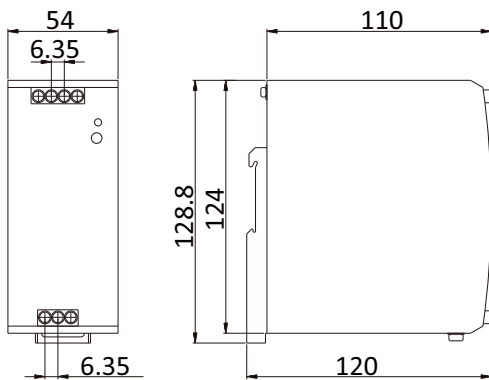
| | |
|---------------------|--------------|
| Product Dimension | 124x54x110mm |
| Products Net Weight | 600g |

Installation Tips:

- Please identify the power supply's input and output before installation.
- Ensure correct output + & - wire connection.
Power on after wire connection is done.
- To avoid voltage drop and loading capacity wasting on the output extension wire, please install the power supply to the loading as near as possible, if must use long extension wires, thicker wires and less loading wattage is required.
- The power supply to be installed at good ventilation and cooling environment.

The power behind your lights

Physical Drawing



Unit: mm

Brief Information

For Din-Rail
TS35X7.5/TS35X15

240W

Din-Rail Power Supply

Model JDV-12240DR / JDV-24240DR / JDV-48240DR

Input 100-250V AC

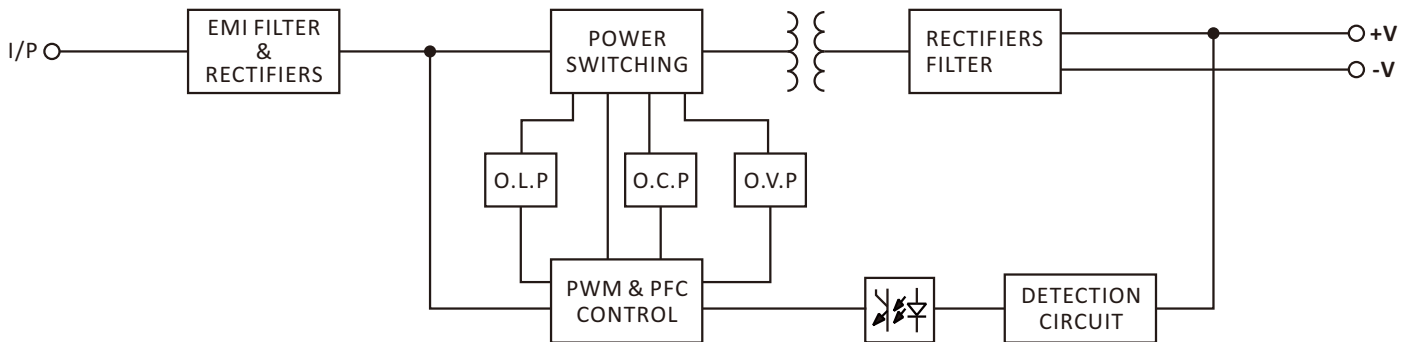
Output 12VDC 16.7A 200W / 24VDC 10A 240W
48VDC 5A 240W

Case Material: Metal (AL1100, SPCC) and Plastic (PC940)

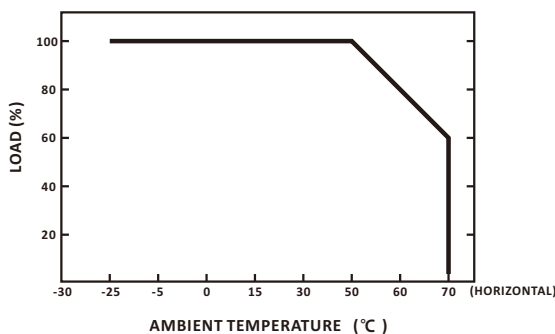
Color: Silver

Cooling Method: Free air convection

Block Diagram



Derating Curve



Static Characteristics

