



RISHANG WEBSITE



RISHANG WECHAT

Rishang Optoelectronics Co., Ltd

- 📍 Address: Mason Building, No. 2519, Fenghuang Street, Guangming District, Shenzhen City, China
- ☎ 400-880-2460
- ✉ info@ledlamps.com.cn
- 🌐 www.rs-led.cc

LED SIGNAGE
2024 V1.0

RISHANG

To establish a top LED lighting brand with health, intelligence and low-carbon



INTRODUCTION

RISHANG OPTOELECTRONICS CO.,LTD

Founded in 2007, Rishang Optoelectronics is a national high-tech enterprise integrating the research, development, production, sales, and service of LED lighting products for signage, box, and education as well as linear lighting. Rishang Optoelectronics has focused on LED lighting for 20 years with strong R&D power. It has employed many Senior R&D staffs for LED lighting products to prepare for related industrial standards, which gained over 600 patents and qualifications for the company.

Rishang Optoelectronics is the wholly-owned subsidiary of Mason Tech (stock code 002654), the state owned listed company. Mason Tech has established LED industrial bases in many places including Guangming District in Shenzhen, Songshan Lake in Dongguan, Xiantao city in Hubei, and is qualified for Witness Laboratory Authorization in American UL and in Rheinland Germany TUV and has completed establishing the first light efficiency simulation and test center for LED signage lighting in China. The company has a wide range of products, many of which have passed international and domestic certifications such as UL, CE, RoHS, BIS, CSA, RCM, SAA, CCC, CQC, explosion-proof, energy-saving, etc. The factory has passed the ISO9001、ISO4001、ISO45001 international quality management system certification. The products have been widely used in many places and industries like large transportation hub, commercial syntheses, brand chain stores, finance and insurance, supermarkets, 3C electronics, petrol station, automobile, clothing, catering, hotels, home decoration, schools and training. And have cooperated with well-known enterprises worldwide .

● State-owned Enterprise

Changjiang River Industrial Investment Group Co., Ltd
The largest industrial investment group in Hubei Province.

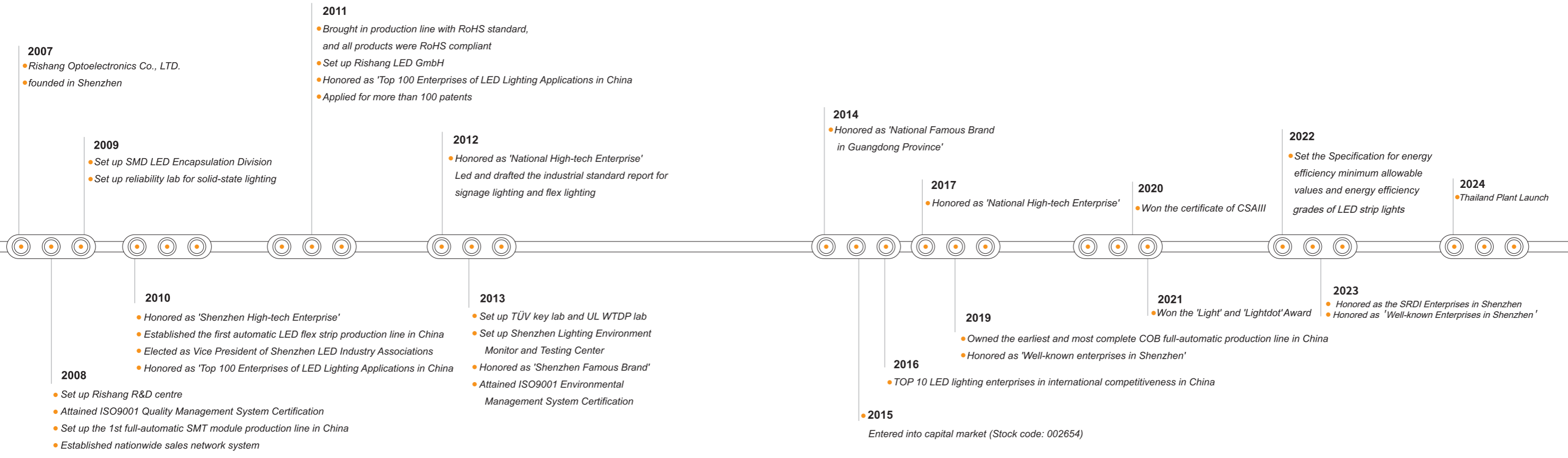
● Shenzhen Stock Exchange Listed Enterprises

MASON Technology (002654)
Top 50 in China LED industry by revenue

● National High-tech Enterprise

Obtained over 600 patents and qualifications

COMPANY HISTORY



☀️ COMPANY BACKGROUND

Rishang Optoelectronics., a wholly-owned subsidiary of the state-controlled listed enterprise, Mason Technology (stock code 002654). With a solid financial foundation, reasonable management, and outstanding operation capabilities, Rishang has become the top brand in the fields of high-end LED signage and linear lighting, and participated in the draft of LED lighting standards in Shenzhen & Guangdong Province, which contributes to the standardized development of LED lighting industry.



☀️ IPD R&D PROCESS

Integrated Product Development (IPD) is a tried and trusted program level solution that formulates strategy whilst coordinating and prioritising the individual project contributions of a innovative and feedback based product development continuum. With a perfect IPD R&D process, we strictly follow the development process to make the product design more in line with the market demand and with more guaranteed quality.



20+
IPD R&D Process

50+
R&D Teams

600+
Patents and Qualifications

TÜV
German TÜV Authorized Lab



☀️ QUALITY MANAGEMENT SYSTEMS

Rishang is certified by the quality systems that complies with the ISO 9001- 2015, ISO14001-2015, ISO 45001, ISO 10012-2003 standards for the whole production cycle, the logistics and the marketing activities of its products. Upgrading the manufacturing process, to provide better products for the customers.



State-Controlled

▶ HOLDING

listed company

▶ 100% HOLDING

National High-tech Enterprise

Changjiang River Industrial Investment Group Co., Ltd

Shenzhen Mason Technology Co., Ltd

Shenzhen Rishang Optoelectronics Co., Ltd

The largest industrial investment group in Hubei Province.

Top 50 in the LED Industry by Revenue

Aim to be a first-class provider of healthy and intelligent LED lighting.

☀ INTELLIGENT MANUFACTURING

Rishang has an independent industrial park with over 30,000 square meters of modern workshops. We have built the first fully automatic SMT module production line and the first and most integrated COB flexible LED strip automatic production line in China, which ensures product quality and production capacity.



☀ LABORATORY

ADVERTISEMENT & SIGN LIGHTING ENVIRONMENT MONITOR AND TESTING CENTER

RISHANG has set up TÜV key lab and the linear lighting environment monitor and testing center in China. And from LED encapsulation, to product development in accordance with IPD process, and daily production quality control, a set of strict reliability test standard from the comprehensive parameters, such as optical, electrical, thermal parameter of the product and environmental reliability testing, lighting lifespan test.



- Electrical Test
- Break Test
- EMC Test
- Accelerated Life Test
- Safety Test
- IP Grade Test
- Environmental & Reliability Test
- Optical Performance Test

HONOR & QUALIFICATION

Rishang has been in the field of LED lighting for 20 years with strong R&D power and has participated in the draft of lighting industrial standards. Now the company has attained over 600 patents and qualifications.

Qualifications:



Awards:



Patents:



Has obtained more than 600 patents and qualifications

Standard setting:

Province-level Standard

Led Strip
Outdoor advertising lights

City-level standard

Led Module for channel letter
Led Module for advertising light-box

Group-level Standard

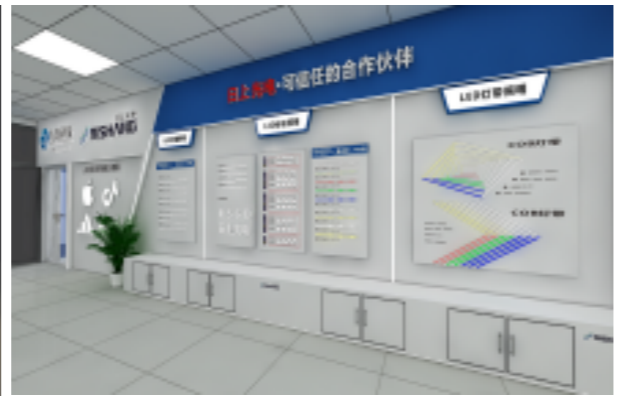
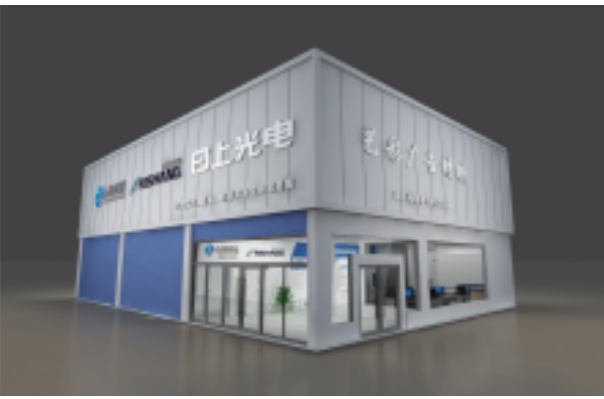
Standard of Sinage enterprise design qualification
Standard of Sinage enterprise manufacturing qualification
Standard of Sinage enterprise installation qualification

MARKETING NETWORK

Global: RISHANG has realized globalized precise marketing services, set up an international sales department and a German subsidiary, with an international marketing team of more than 50 people.



【 Global Branches of Rishang】



【 Stores of Rishang】

The products have been widely used in many places and industries like large transportation hub (airport, underground railway, high-speed railway and intercity railway), commercial syntheses, brand chain stores, finance and insurance, supermarkets, 3C electronics, petrol station, automobile, clothing, catering, hotels, home decoration, schools and training institutions. And have cooperated with well-known enterprises worldwide such as Mercedes-Benz, BMW, Microsoft, Huawei, MI, VIVO, Sinopec, CNPC, Tesla Inc, Xiaomi, BYD, ICBC, Agricultural Bank of China, Walmart, JD.COM, Gome, Vanke and Wanda Group. Besides, it is also the high-quality supplier for providing integrated solutions to the Asian Games, World Expo, CCTV Spring Festival Evening Gala, commercial syntheses and traffic hubs LED lighting and healthy



International Sales Department
info@ledlamps.com.cn

Subsidiary in Germany
rishang.europe@ledlamps.com.cn

CONTENT

LED signage letter illumination

2-6cm depth	• RKPW30TA-A-2	01
	• RKPW42TA-A-2	01
	• RKPW60TA-A-2	02
	• RKOW60TA-A-2	02
	• RKOWC0TA-A-2	02
• RKPWC0TA-A-2	02	
2-4cm depth	• M601TA	03
	• M601TB	03
	• M911TA	04
	• M922TA	04
	• M602TA	05
	• M603TA	05
	• M9A1TA	06
4-8cm depth	• M8R1TB	07
	• M8R2TB	07
	• M8R3TB	07
	• M8R4TB	07
	• M8C1QB	08
	• M8C2QB	08
	• M8C3QB	08
	• M8C4QB	08
8-12cm depth	• M8B1TB	09
	• M8B2TB	09
	• M8B3TB	09
	• M8B4TB	09
	• M942TA-3	10
	• M943TA-3	10
	• ML862TA	11
	• ML863TA	12
	• ML863TA-1	12
	• ML863TA-2	12
>12cm depth	• M663TA	13
	• M9A2TB	14
Crystal series	• M9F3TB	14
	• M9G3TB	14
	• M902AQ	15
RGB series	• M903AQ	15
	• M903AR	16
	• C209TAW	17
φ 9mm	• C209FAW-LT	18
	• C112TAW-1	19
φ 12mm	• C112TAW-1	19
	• C115TAW-1	20
φ 15mm	• C115TAW-1	20

LED Light Box illumination

■ Single side

3-6cm depth	• M951QB	21
	• Z6116TA-K	22
	• M931TB-2	23
	• M921QB	24
	• Z6212QA	25
6-10cm depth	• ZL6206TA-K	26
	• ZL6206TC-K	26
	• ZL6210TA-K	26
	• ZL6210TC-K	26
	• ZL6212TA-K	26
	• ZL6212TC-K	26

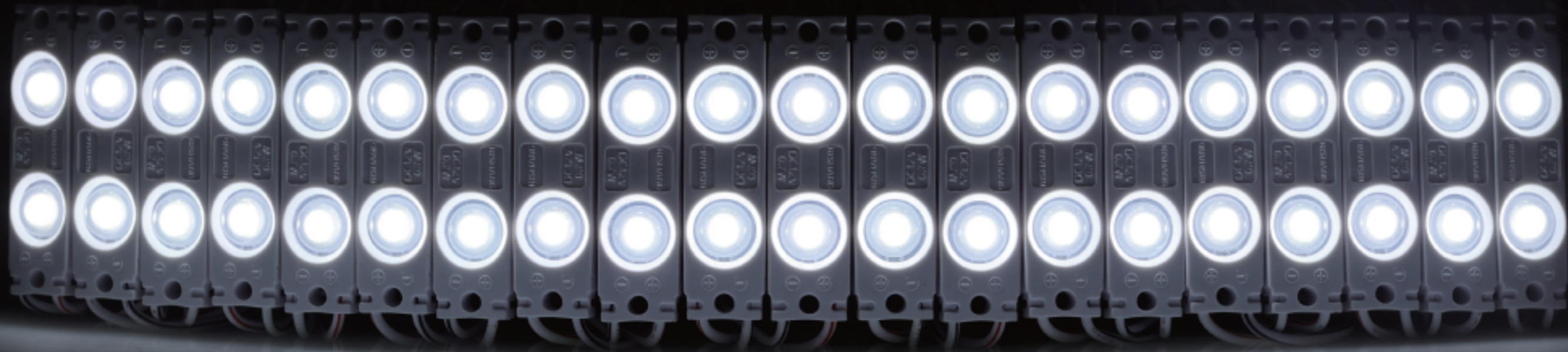
LED Light Box illumination

■ Double side

6-10cm depth	• ZL7006TA-K	27
	• ZL7006TC-K	27
	• ZL7010TA-K	27
	• ZL7010TC-K	27
	• ZL7012TA-K	27
	• ZL7012TC-K	27
	• ZL6312TA-K	28
	• ZL6312TC-K	28
	• ZL6314TA-K	28
	• ZL6314TC-K	28
	• ZL7112TA-9A	29
	• ZL7112TC-9A	29
	• AC 220V ZH7106THA-K	30
	• AC 220V ZH7112THA-K	30
	• AC 220V ZH7406THA-K	31
• AC 220V ZH7409THA-K	31	
• AC 220V ZH7412THA-K	31	
• AC 220V ZH7414THA-K	31	
>10cm depth	• M906TD	32
	• MA06TD	33
	• MKA14TC	34
	• MKA16QK	34
	• Z7124TX	35
	• AC 220V ZH2018THA-H	36
	• AC 220V ZH2027THA-H	36
	• AC 220V ZH2036THA-H	36
	• AC 220V ZH2115THA-H	37
	• AC 220V ZH2130THA-H	37
	• Z1F18TA-A	38
	• Z1F30TA-A	38
	• Z1F36TA-A	38

Power Supply

Waterproof	• PE Series	47
	• PA Series	48
	• PL Series	49
Rainproof	• PB Series	50
	• PJ Series	51
	• PJ Series	52



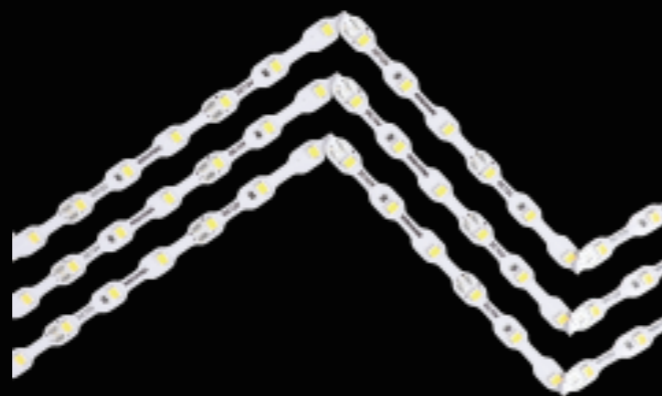
LED signage letter illumination

► LED advertising and signage modules are mainly used to display the lighting effect of the channel letters installed on the top or the wall of buildings. Rishang has various types of LED advertising modules with complete LED quantity series, with the advantages of uniform light, high brightness, long life, low energy consumption, small size, easy installation and so on. Customers can select appropriate specifications of modules according to the signage's material, depth, stroke width, application environments and other specific conditions.

4~8cm depth Zig Zag LED Strip

RKPW30TA-A-2 / RKPW42TA-A-2

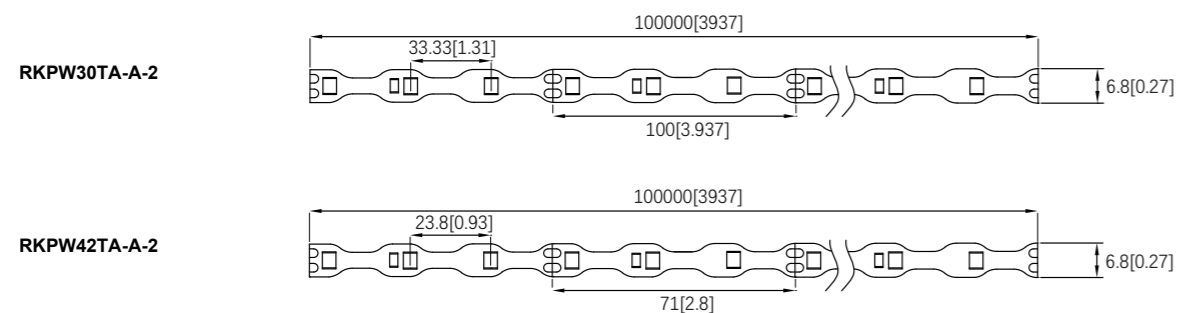
- Exclusive patented product, cool running streamline design.
- Pure copper plate, high-end quality, more excellent performance.
- Various color temperature and color matching complete.
- High adhesive thermal conductive backing, good heat dissipation, strong adhesion.



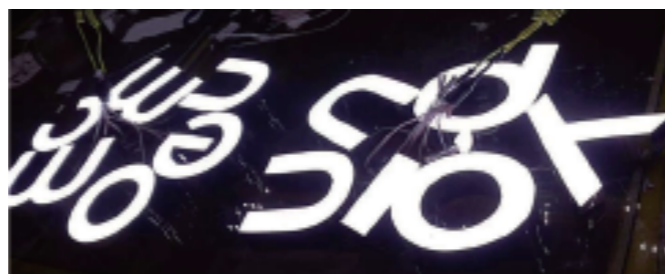
Parameters

P/N	CCT	Voltage	Luminous Flux	Luminous Efficiency	Power	LEDs	Max Run	Size
RKPW30TA-A-2	6500	DC 12V	630Lm/pcs	90Lm/W	7W/pcs	30	2m	100000*6.8mm
RKPW42TA-A-2	6500	DC 12V	900Lm/pcs	90Lm/W	10W/pcs	42	2m	100000*6.8mm

Dimension (Unit):mm(inch)



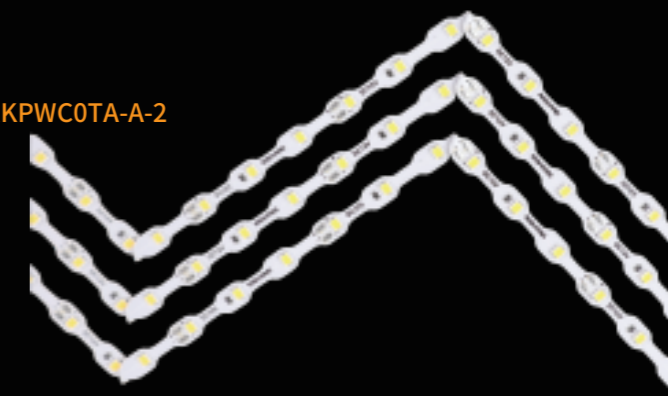
Application



2~4cm depth Zig Zag LED Strip

RKPW60TA-A-2 / RK0W60TA-A-2 / RK0WC0TA-A-2 / RKPWC0TA-A-2

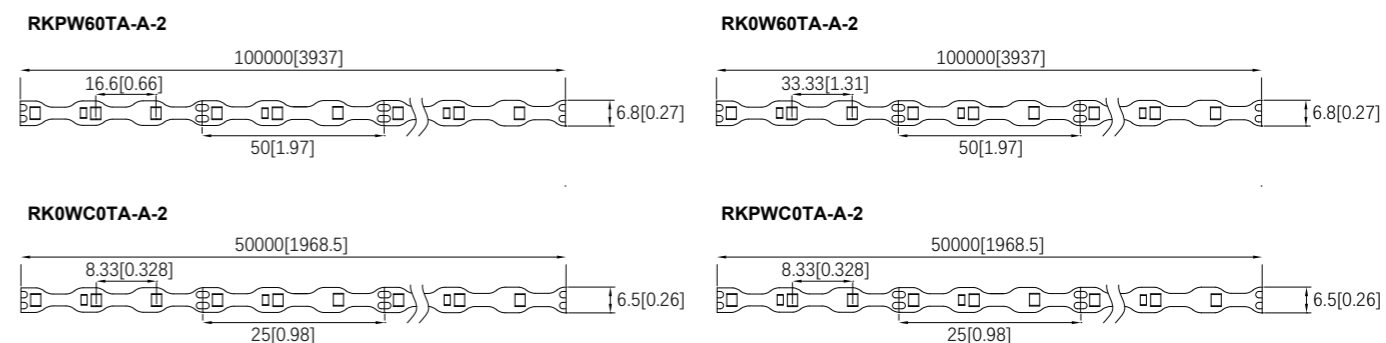
- Exclusive patented product, cool running streamline design.
- Pure copper plate, high-end quality, more excellent performance.
- Various color temperature and color matching complete.
- High adhesive thermal conductive backing, good heat dissipation, strong adhesion.



Parameters

P/N	CCT	Voltage	Luminous Flux	Luminous Efficiency	Power	LEDs	Max Run	Size
RKPW60TA-A-2	6500K	DC 12V	600Lm/pcs	100Lm/W	6W/pcs	60	2m	100000*6.8mm
RK0W60TA-A-2	6500K	DC 12V	600Lm/pcs	100Lm/W	6W/pcs	60	2m	100000*6.8mm
RK0WC0TA-A-2	6500K	DC 12V	750Lm/pcs	104Lm/W	7.2W/pcs	120	2m	50000*6.5mm
RKPWC0TA-A-2	6500K	DC 12V	730Lm/pcs	102Lm/W	7.2W/pcs	120	2m	50000*6.5mm

Dimension (Unit):mm(inch)



Application



3~10cm depth LED Module

M601TA / M601TB

- One-piece structure design, compact size, flexible application.
- Good protection effect, stable quality.

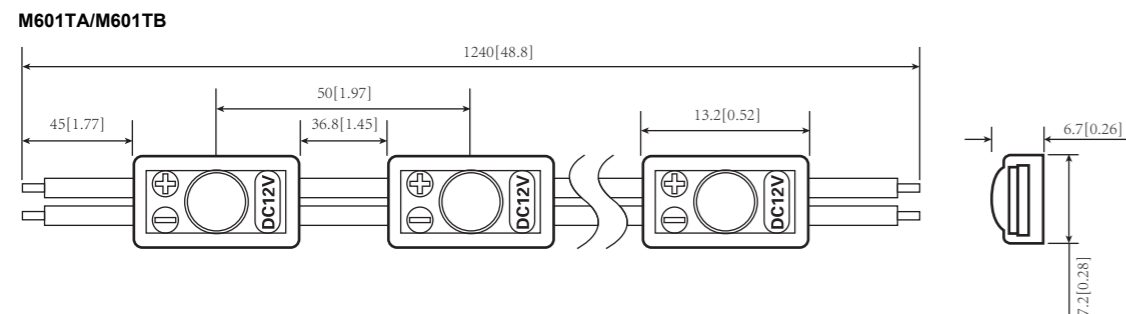


Parameters

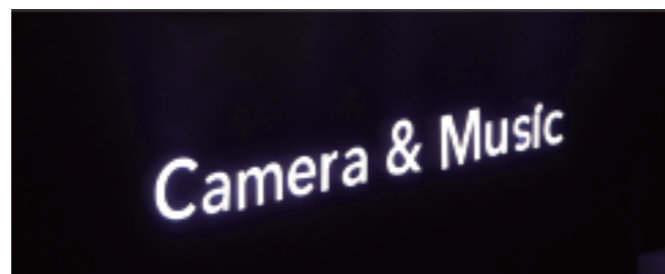


P/N	CCT	Voltage	Luminous Flux	Luminous Efficiency	Power	LEDs	Max Run	Size
M601TA	6500K	DC 12V	20Lm/pcs	100Lm/W	0.2W/pcs	1	50	13.2*7.2*6.7mm
M601TB	6500K	DC 12V	24Lm/pcs	100Lm/W	0.24W/pcs	1	50	13.2*7.2*6.7mm

Dimension (Unit):mm(inch)



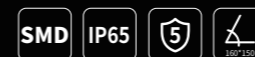
Application



3~12cm depth LED Module

M911TA / M922TA

- Using high-efficiency LED light source, higher brightness and more energy-saving.
- Double angle optical lens design, rectangular light spot.
- Super long life, five years warranty.

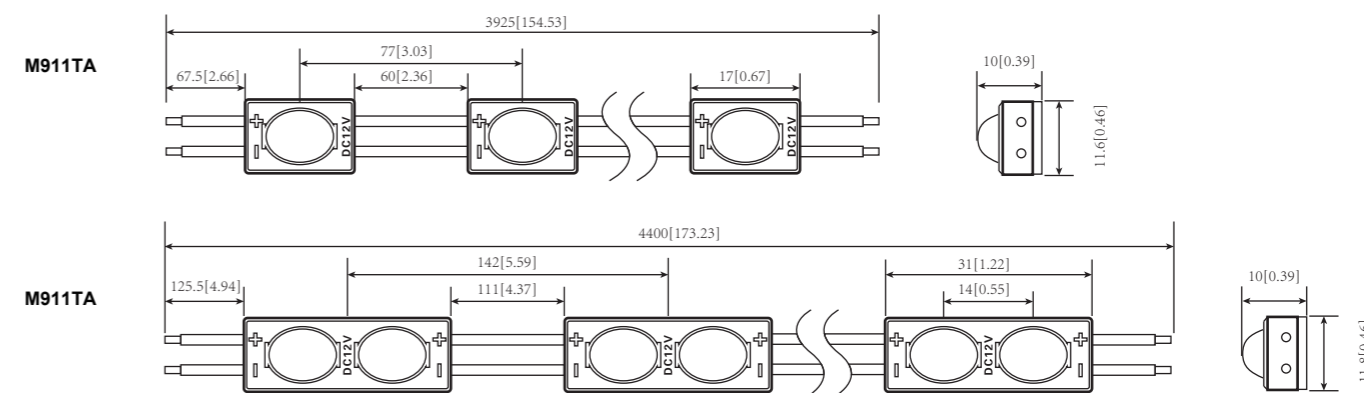


Parameters

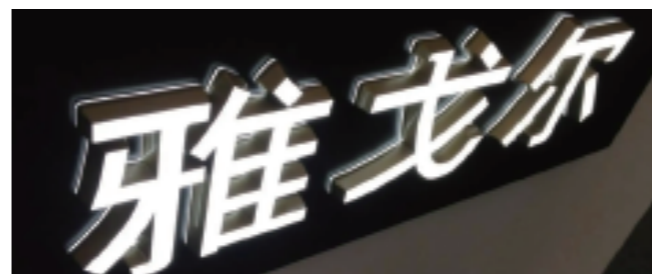


P/N	CCT	Voltage	Luminous Flux	Luminous Efficiency	Power	LEDs	Max Run	Size
M911TA	6000K	DC 12V	30Lm/pcs	125Lm/W	0.24W/pcs	1	50	17*11.6*10mm
M922TA	6000K	DC 12V	60Lm/pcs	125Lm/W	0.48W/pcs	2	30	31*11.8*10mm

Dimension (Unit):mm(inch)



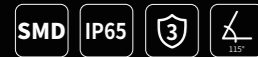
Application



3~12cm depth LED Module

M602TA / M603TA

- Extreme size, only 7mm wide.
- Supporting three-lamp products, compatible with large characters, more flexible.



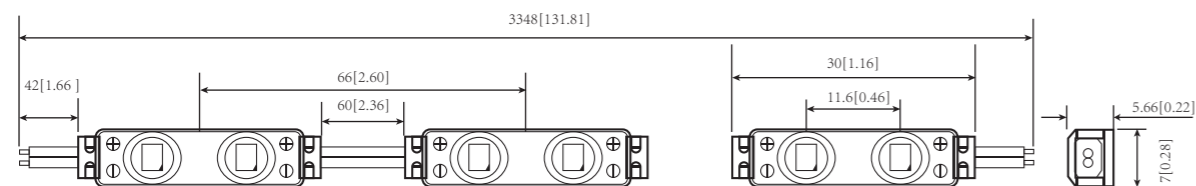
Parameters



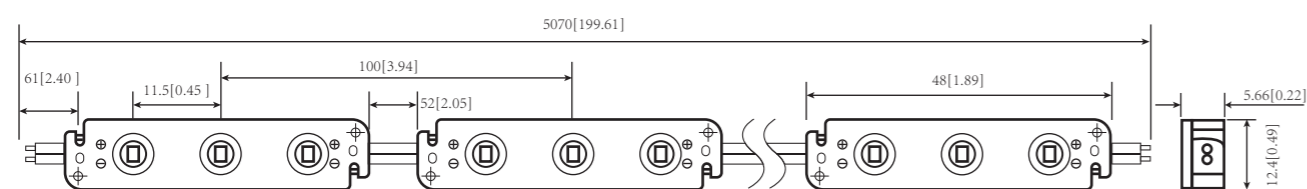
P/N	CCT	Voltage	Luminous Flux	Luminous Efficiency	Power	LEDs	Max Run	Size
M602TA	6000K	DC 12V	20Lm/pcs	61Lm/W	0.33W/pcs	2	50	30*7*5.66mm
M603TA	6000K	DC 12V	30Lm/pcs	91Lm/W	0.33W/pcs	3	50	48*12.4*5.5mm

Dimension (Unit):mm(inch)

M602TA



M603TA



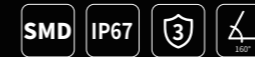
Application



3~8cm depth LED Module

M9A1TA

- Standard cascading qty up to 60pcs.
- Beam angle: 160°.
- Can be cut between every unit.



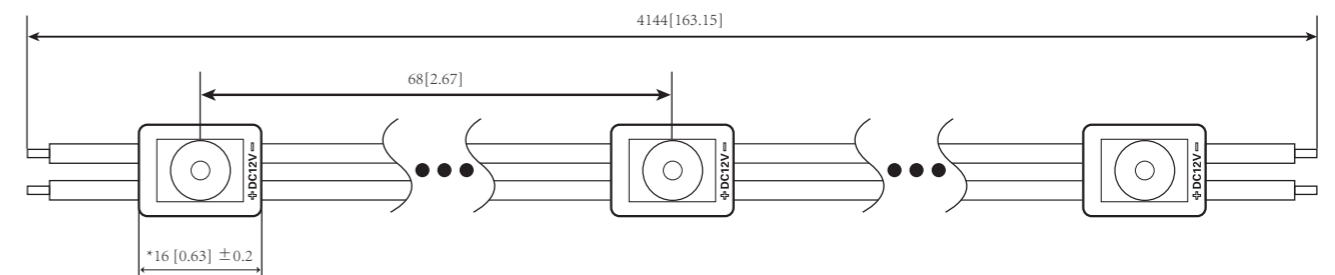
Parameters



P/N	CCT	Voltage	Luminous Flux	Luminous Efficiency	Power	LEDs	Max Run	Size
M9A1TA	7000K	DC 12V	44.8Lm/pcs	160Lm/W	0.28W/pcs	1	60	16*12*8.8mm

Dimension (Unit):mm(inch)

M9A1TA



Application



4~12cm depth

LED Module

M8R1TB / M8R2TB / M8R3TB / M8R4TB

- Secondary optical large bat wing design, higher uniformity.
- High luminous efficacy, up to 160lm/W.
- With constant current technology, the performance is more stable.

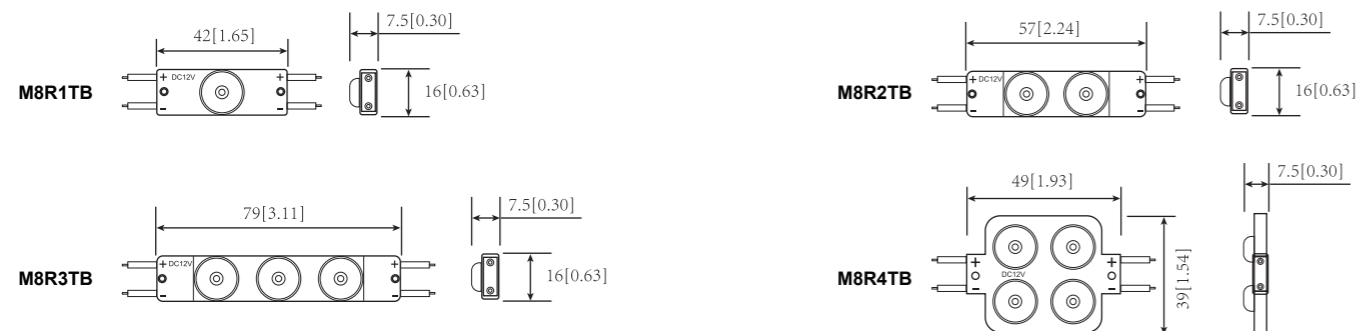


Parameters

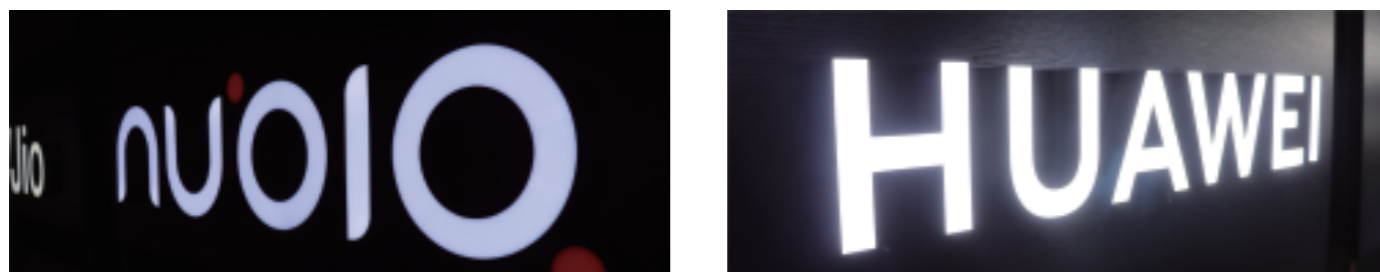


P/N	CCT	Voltage	Luminous Flux	Luminous Efficiency	Power	LEDs	Max Run	Size
M8R1TB	6000K	DC 12V	58Lm/pcs	160Lm/W	0.36W/pcs	1	40	42*16*7.5mm
M8R2TB	6000K	DC 12V	96Lm/pcs	160Lm/W	0.6W/pcs	2	35	57*16*7.5mm
M8R3TB	6000K	DC 12V	160Lm/pcs	160Lm/W	1W/pcs	3	25	79*16*7.5mm
M8R4TB	6000K	DC 12V	230Lm/pcs	160Lm/W	1.44W/pcs	4	20	49*39*7.5mm

Dimension (Unit):mm(inch)



Application

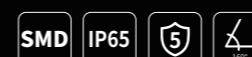


4~12cm depth

LED Module

M8C1QB / M8C3QB / M8C2QB / M8C4QB

- 20% more energy efficient than conventional energy-saving modules.
- Good spacing, spacing to depth is 3.5 to 1.
- Constant current driving, continuous brightness output.

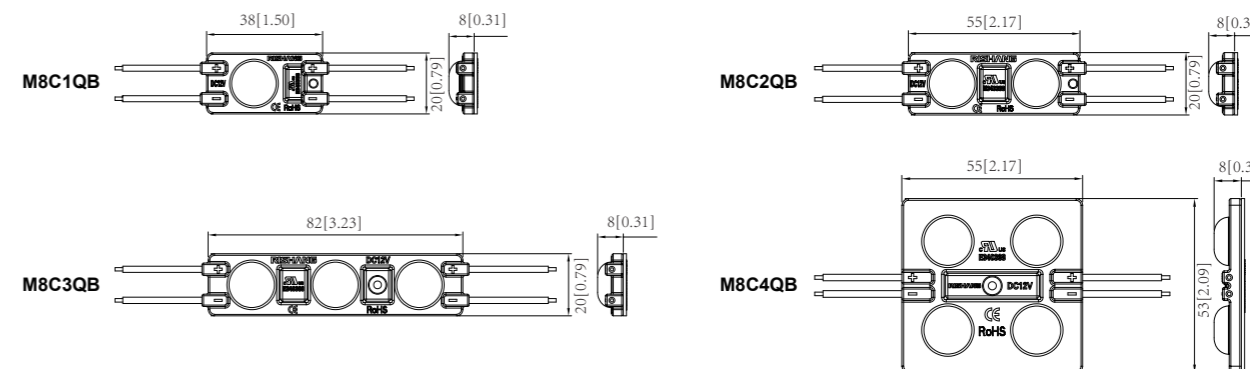


Parameters



P/N	CCT	Voltage	Luminous Flux	Luminous Efficiency	Power	LEDs	Max Run	Size
M8C1QB	7000K	DC 12V	65Lm/pcs	180Lm/W	0.36W/pcs	1	55	38*20mm
M8C2QB	7000K	DC 12V	130Lm/pcs	180Lm/W	0.72W/pcs	2	35	55*20mm
M8C3QB	7000K	DC 12V	180Lm/pcs	180Lm/W	1W/pcs	3	25	82*20mm
M8C4QB	7000K	DC 12V	259Lm/pcs	180Lm/W	1.11W/pcs	4	25	55*55mm

Dimension (Unit):mm(inch)



Application

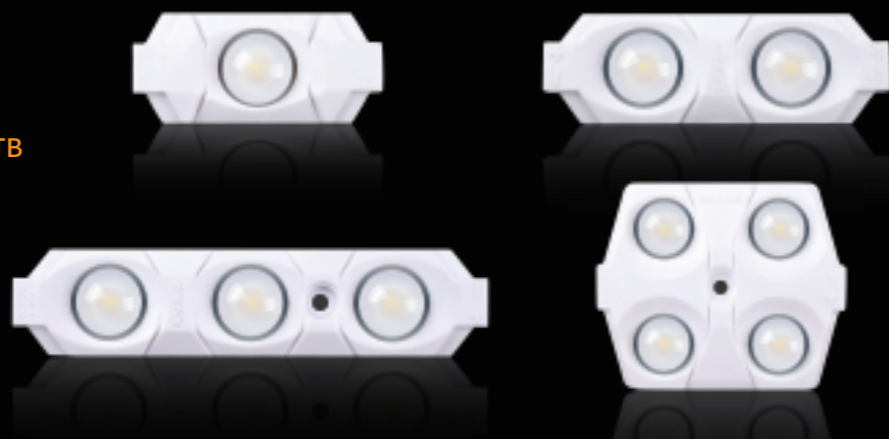


8~12cm depth

LED Module

M8B1TB / M8B2TB / M8B3TB / M8B4TB

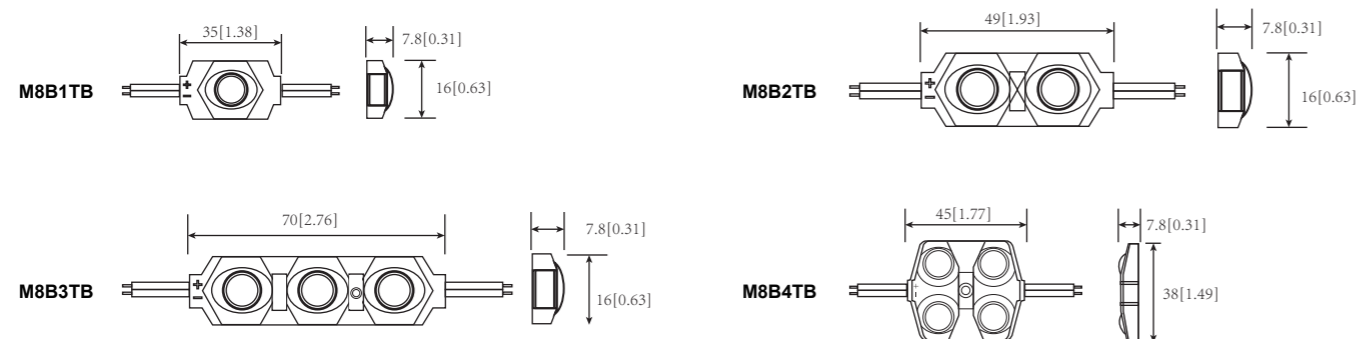
- Patented design of tough blade appearance.
- High-end atmosphere 5 years Warranty.
- Constant current technology.



Parameters

P/N	CCT	Voltage	Luminous Flux	Luminous Efficiency	Power	LEDs	Max Run	Size
M8B1TB	6000K	DC 12V	42Lm/pcs	117Lm/W	0.36W/pcs	1	50	35*16*7.8mm
M8B2TB	6000K	DC 12V	93Lm/pcs	129Lm/W	0.72W/pcs	2	50	49*16*7.8mm
M8B3TB	6000K	DC 12V	128Lm/pcs	128Lm/W	1W/pcs	3	50	70*16*7.8mm
M8B4TB	6000K	DC 12V	172Lm/pcs	119Lm/W	1.44W/pcs	4	25	45*38*7.8mm

Dimension (Unit):mm(inch)



Application

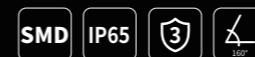


8~12cm depth

LED Module

M942TA-3 / M943TA-3

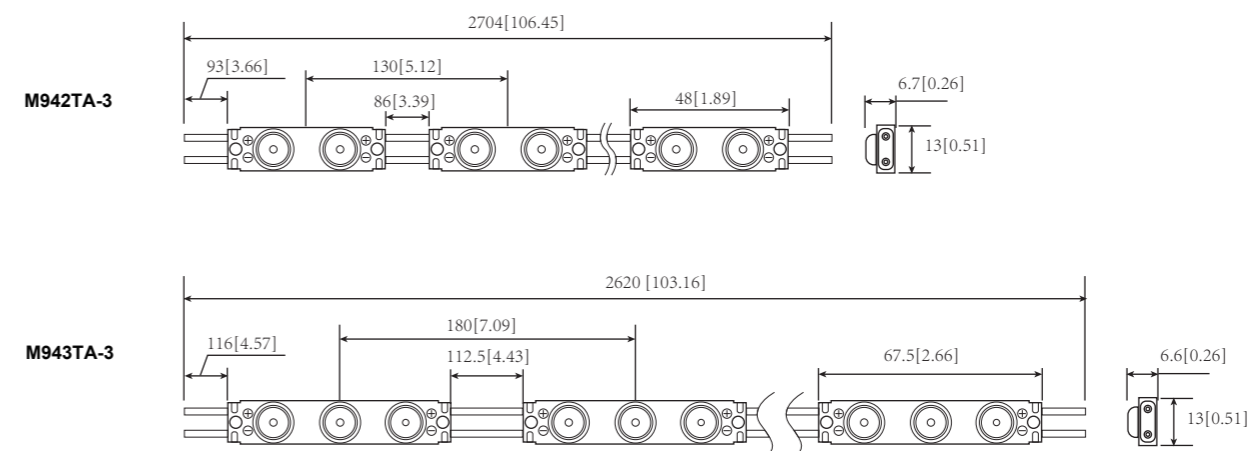
- Secondary optical design, 160° beam angle, better uniformity than traditional modules.
- PCB made of metal thermal conductive material, which has good heat dissipation performance and long life.
- Can be cut between every unit, the back tape is pre-cut.



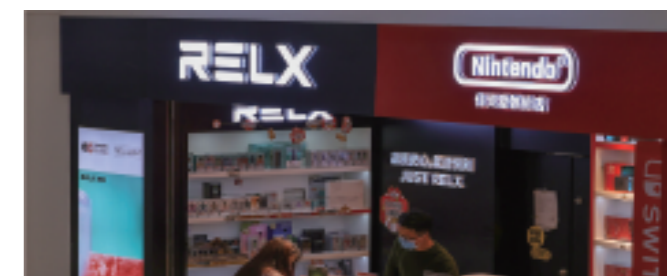
Parameters

P/N	CCT	Voltage	Luminous Flux	Luminous Efficiency	Power	LEDs	Max Run	Size
M942TA-3	6000K	DC 12V	56Lm/pcs	80Lm/W	0.7W/pcs	2	20	48*13*6.5mm
M943TA-3	6000K	DC 12V	90Lm/pcs	112Lm/W	0.8W/pcs	3	20	68*13*6.5mm

Dimension (Unit):mm(inch)



Application



8~12cm depth

LED Module

ML862TA



- By the second optical light distribution, more uniform light-emitting.
- The most cost-effective light-emitting character module light source.

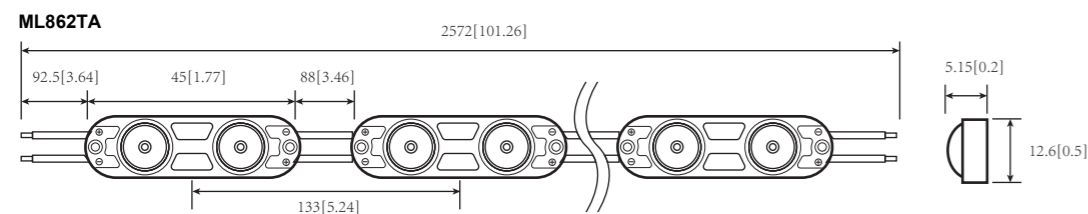


Parameters



P/N	CCT	Voltage	Luminous Flux	Luminous Efficiency	Power	LEDs	Max Run	Size
ML862TA	7500K	DC 12V	37Lm/pcs	77Lm/W	0.48W/pcs	2	20	45*12.6*4mm

Dimension (Unit):mm(inch)



Application



8~12cm depth

LED Module

ML863TA / ML863TA-1 / ML863TA-2



- By the second optical light distribution, more uniform light-emitting.
- The most cost-effective light-emitting character module light source.

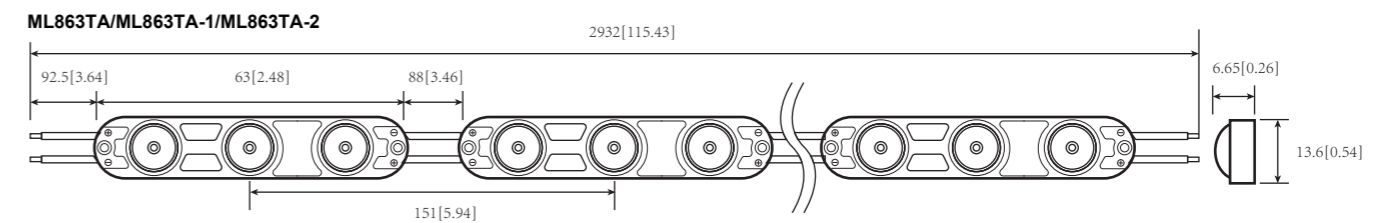


Parameters



P/N	CCT	Voltage	Luminous Flux	Luminous Efficiency	Power	LEDs	Max Run	Size
ML863TA	7500K	DC 12V	80Lm/pcs	111Lm/W	0.72W/pcs	3	20	63*12.6*4mm
ML863TA-1	7500K	DC 12V	80Lm/pcs	110Lm/W	0.72W/pcs	3	20	63*12.6*4mm
ML863TA-2	7500K	DC 12V	111Lm/pcs	111Lm/W	1W/pcs	3	20	63*12.6*4mm

Dimension (Unit):mm(inch)



Application



10~20cm depth

LED Module

M663TA

- High-power, direct-emitting, high-brightness products.
- Suitable for luminous channel letter on the roof, color luminous characters.

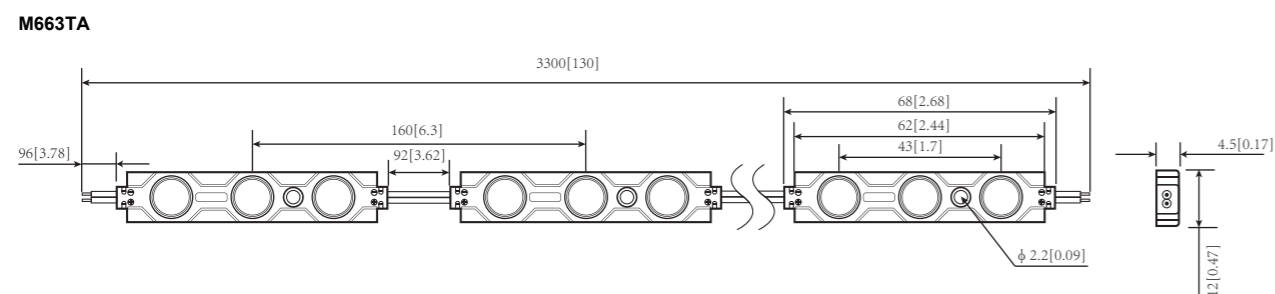


Parameters



P/N	CCT	Voltage	Luminous Flux	Luminous Efficiency	Power	LEDs	Max Run	Size
M663TA	6000K	DC 12V	100Lm/pcs	100Lm/W	1W/pcs	3	20	68*12*4.5mm

Dimension (Unit):mm(inch)



Application



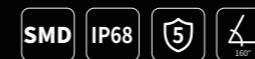
6~20cm depth

LED Module

Crystal Series

M9A2TB / M9F3TB / M9G3TB

- Great appearance.
- All-in-one optical design.
- High luminous efficacy and uniform brightness.

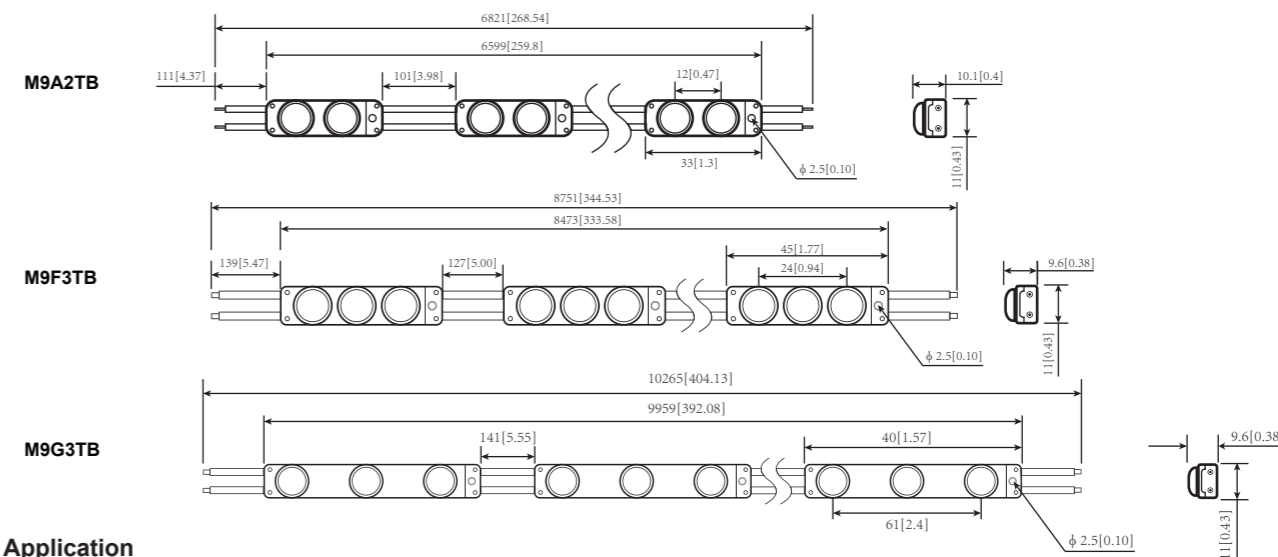


Parameters



P/N	CCT	Voltage	Luminous Flux	Luminous Efficiency	Power	LEDs	Max Run	Size
M9A2TB	6000K	DC 12V	39Lm/pcs	114Lm/W	0.34W/pcs	2	50	33*11*10mm
M9F3TB	6000K	DC 12V	53Lm/pcs	110Lm/W	0.48W/pcs	3	50	45*11*9.6mm
M9G3TB	6000K	DC 12V	80Lm/pcs	111Lm/W	0.72W/pcs	3	50	40*11*9.6mm

Dimension (Unit):mm(inch)



Application



8~20cm depth

LED Module

RGB Series

M902AQ / M903AQ

- Colorful module.
- Adopt one-piece lens, high-end appearance.
- The external controller can realize colorful effects and rich colors.
- Can be cut between every single light.



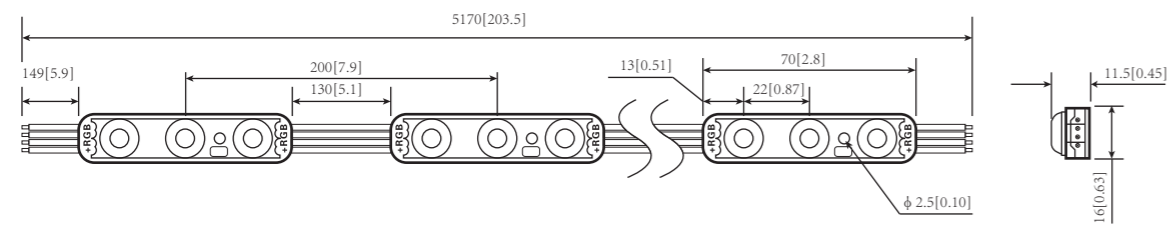
Parameters



P/N	Wave Length	Voltage	Luminous Flux	Luminous Efficiency	Power	LEDs	Max Run	Size
M902AQ	620-625nm R 525-530nm G 525-530nm B	DC 12V	14Lm/pcs	19.4Lm/W	0.72W/pcs	2	25	49*18.6*10.4mm
M9023AQ	620-625nm R 525-530nm G 525-530nm B	DC 12V	21Lm/pcs	29Lm/W	0.72W/pcs	3	25	70*16*11.2mm

Dimension (Unit):mm(inch)

M902AQ/M903AQ



Application



8~20cm depth

LED Module

RGB Series

M903AR

- Full color module.
- RGB colorful single-point control to achieve rich color changing effects.
- Can be cut between every single light, support breakpoint resume.



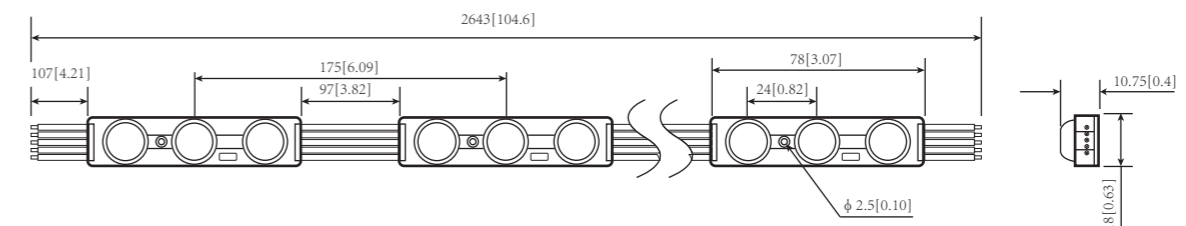
Parameters



P/N	Wave Length	Voltage	Luminous Flux	Luminous Efficiency	Power	LEDs	Max Run	Size
M903AR	620-625nm R 525-530nm G 525-530nm B	DC 12V	8/16/4Lm/pcs	33/66/16Lm/W	0.24W/pcs	3	20	78*18*10.7mm

Dimension (Unit):mm(inch)

M903AR



Application



Dot LED $\phi 9\text{mm}$

C209TAW

- Special technology structure design, uniform and soft lighting.
- No yellowing after long time use.
- The lugs are automatically locked by rebound after getting through the hole.

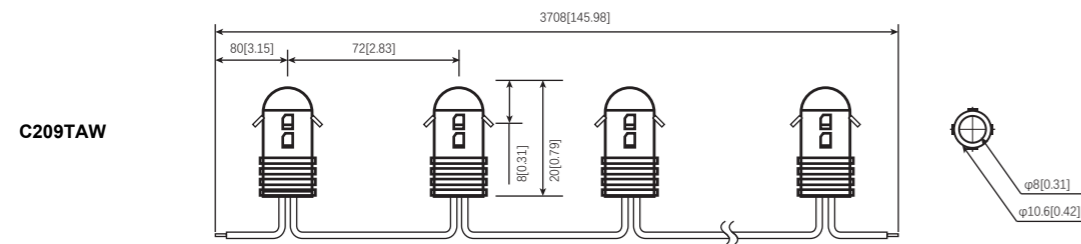


Parameters



P/N	CCT/Wave Length	Voltage	Luminous Flux	Luminous Efficiency	Power	LEDs	Max Run	Size
C209TAW	7000K	DC 12V	16.7Lm/pcs	93Lm/W	0.18W/pcs	1	50	20*9mm
C209TAW	R 620-625nm	DC 12V	1.7Lm/pcs	9.5Lm/W	0.18W/pcs	1	50	20*9mm
C209TAW	G 522-527nm	DC 12V	15.7Lm/pcs	87Lm/W	0.18W/pcs	1	50	20*9mm
C209TAW	B 455-460nm	DC 12V	2.9Lm/pcs	16Lm/W	0.18W/pcs	1	50	20*9mm
C209TAW	Y 585-590nm	DC 12V	16.2Lm/pcs	90Lm/W	0.18W/pcs	1	50	20*9mm

Dimension (Unit):mm(inch)



Application

Dot LED $\phi 9\text{mm}$

C209FAW-LT

- Standard cascade quantity up to 50pcs.
- SMD process, uniform light.
- Waterproof, dustproof, anti-UV.

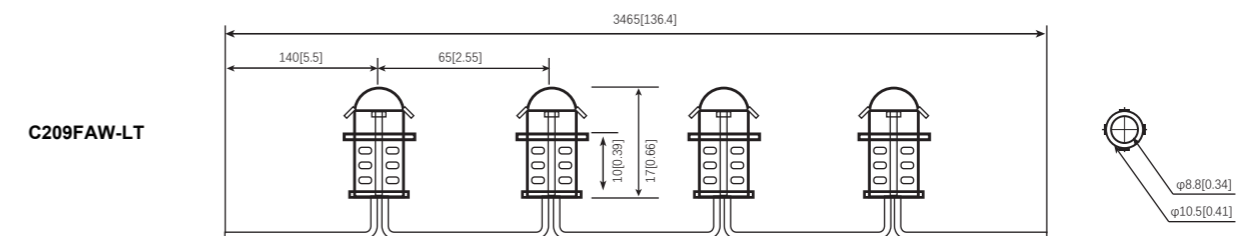


Parameters



P/N	CCT/Wave Length	Voltage	Luminous Flux	Luminous Efficiency	Power	LEDs	Max Run	Size
C209FAW-LT	10000K	DC 12V	14Lm/pcs	77Lm/W	0.16W/pcs	1	50	17*9mm
C209FAW-LT	R 620-625nm	DC 12V	3Lm/pcs	16Lm/W	0.16W/pcs	1	50	20*9mm
C209FAW-LT	G 522-527nm	DC 12V	19Lm/pcs	109Lm/W	0.16W/pcs	1	50	20*9mm
C209FAW-LT	Y 455-460nm	DC 12V	12.8Lm/pcs	67Lm/W	0.16W/pcs	1	50	20*9mm
C209FAW-LT	B 585-590nm	DC 12V	2.6Lm/pcs	14Lm/W	0.16W/pcs	1	50	20*9mm
C209FAW-LT	O 585-590nm	DC 12V	6.3Lm/pcs	34Lm/W	0.16W/pcs	1	50	20*9mm

Dimension (Unit):mm(inch)



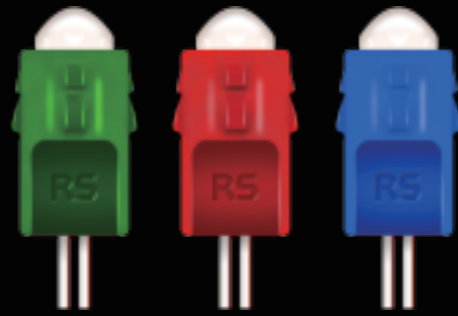
Application



Dot LED $\phi 12\text{mm}$

C112TAW-1

- Patent product, SMD process.
- Stable and reliable, 5 years warranty.
- The first choice for bright channel letter on the outdoor roof.

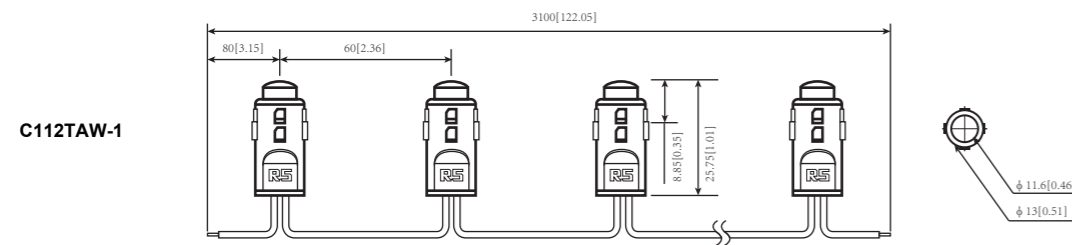


Parameters



P/N	CCT	Voltage	Luminous Flux	Luminous Efficiency	Power	LEDs	Max Run	Size
C112TAW-1	9000K	DC 12V	10Lm/pcs	62.5Lm/W	0.16W/pcs	1	50	25*12mm

Dimension (Unit):mm(inch)



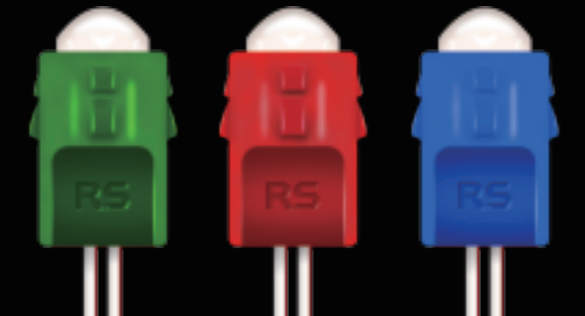
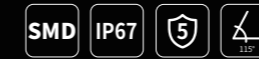
Application



Dot LED $\phi 15\text{mm}$

C115TAW-1

- Patent product, SMD process.
- Stable and reliable, 5 years warranty.
- The first choice for bright channel letter on the outdoor roof.

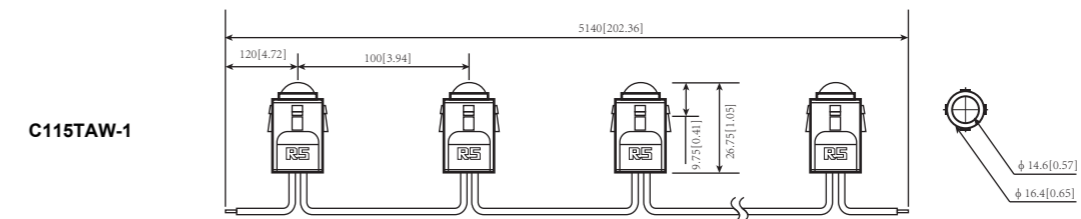


Parameters



P/N	CCT	Voltage	Luminous Flux	Luminous Efficiency	Power	LEDs	Max Run	Size
C115TAW-1	9000K	DC 12V	20Lm/pcs	83.3Lm/W	0.24W/pcs	1	50	26*15mm

Dimension (Unit):mm(inch)



Application





LED Light Box illumination

Single side

► Rishang's light source products for single-sided light boxes are divided into two categories, low voltage and high voltage, including LED light bars and modules, which are widely used in back-lit light boxes with different depths. The products usually adopt straight structure, wide angle optical design and high thermal conductive aviation aluminum substrate. The products have the advantages of high brightness, uniform light, low energy consumption, easy installation, making the the pictures of advertising light boxes look bright, uniform, clear and natural.

3~10cm depth

LED Module

M951QB

- Single-LED large-angle optical design.
- 60 pieces of ultra-long cascade.
- Flexible and easy installation.



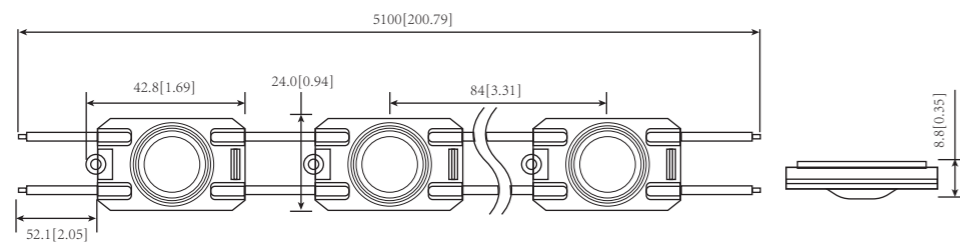
Parameters



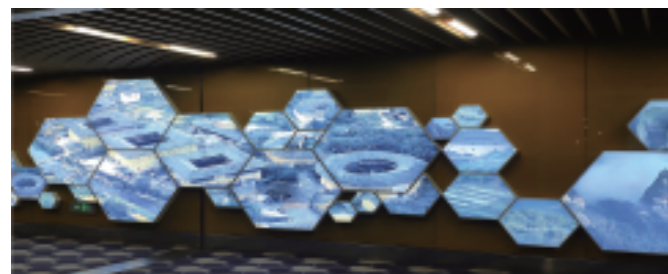
P/N	CCT	Voltage	Luminous Flux	Luminous Efficiency	Power	LEDs	Max Run	Size
M951QB	4500K	DC 12V	70.8Lm/pcs	95Lm/W	0.72W/pcs	1	60	42.8*24*8.8mm

Dimension (Unit):mm(inch)

M951QB



Application



2.5~8cm depth

LED Rigid Bar

Z6116TA-K

- Large beam angle optical design.
- Uniform luminous effect.



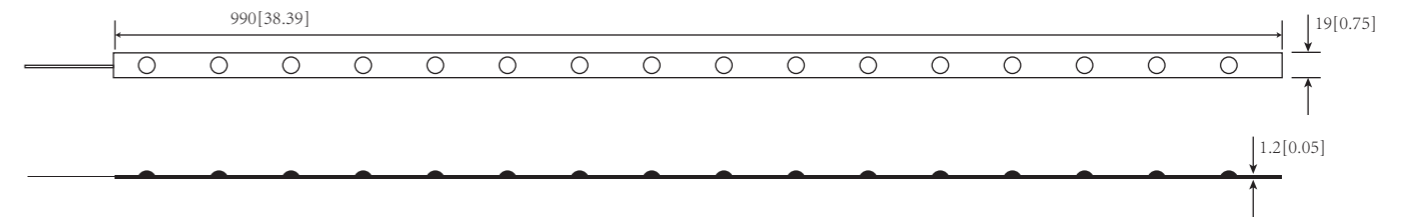
Parameters



P/N	CCT	Voltage	Luminous Flux	Luminous Efficiency	Power	LEDs	Max Run	Size
Z6116TA-K	6000K	DC 12V	1400Lm/pcs	110Lm/W	12.8W/pcs	16	1	990*19mm

Dimension (Unit):mm(inch)

Z6116TA-K



Application

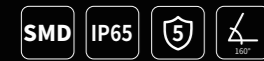


4~10cm depth

LED Module

M931TB-2

- Large optical lens, better lighting effect.
- Small size structure design, flexible lighting layout.
- Suitable for all kinds of small special-shaped light boxes.



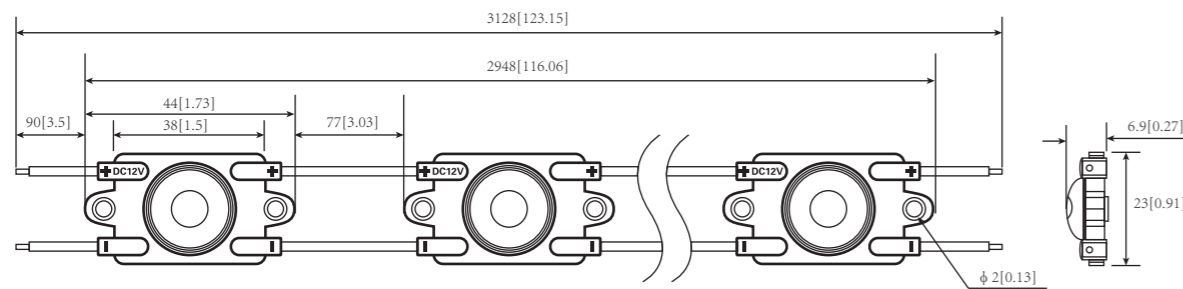
Parameters



P/N	CCT	Voltage	Luminous Flux	Luminous Efficiency	Power	LEDs	Max Run	Size
M931TB-2	6000K	DC 12V	96Lm/pcs	96Lm/W	1.0W/pcs	1	25	44*23*6.9mm

Dimension (Unit):mm(inch)

M931TB-2



Application

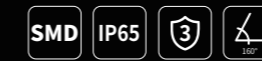


6~12cm depth

LED Module

M921QB

- Using 3030 high-power LED, long life.
- Constant current technical solution products, more stable.
- IP65 protection perfect for indoor and outdoor light box lighting.



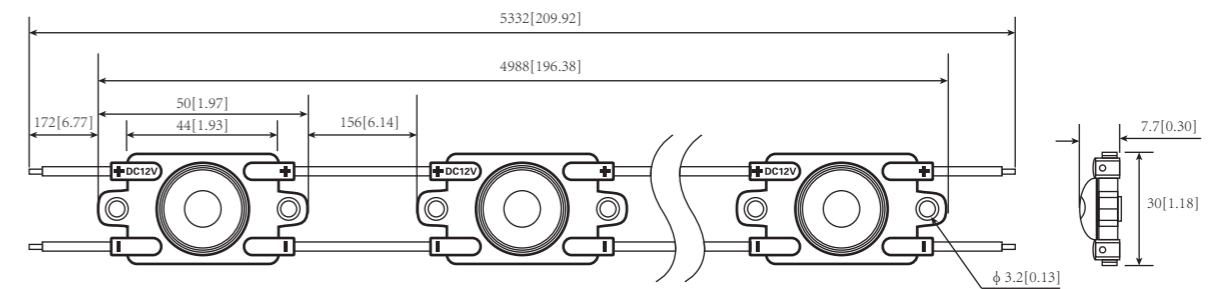
Parameters



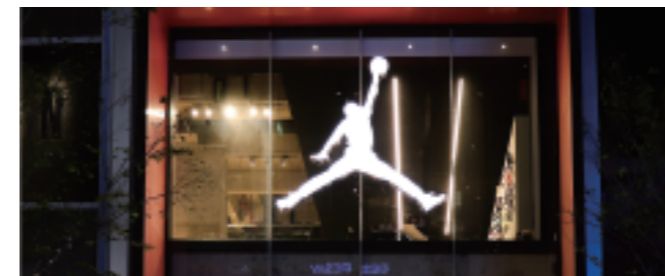
P/N	CCT	Voltage	Luminous Flux	Luminous Efficiency	Power	LEDs	Max Run	Size
M921QB	6000K	DC 12V	215Lm/pcs	90Lm/W	2.4W/pcs	1	25	50*30*7.7mm

Dimension (Unit):mm(inch)

M921QB



Application



6~10cm depth

LED Rigid Bar

Z6212QA

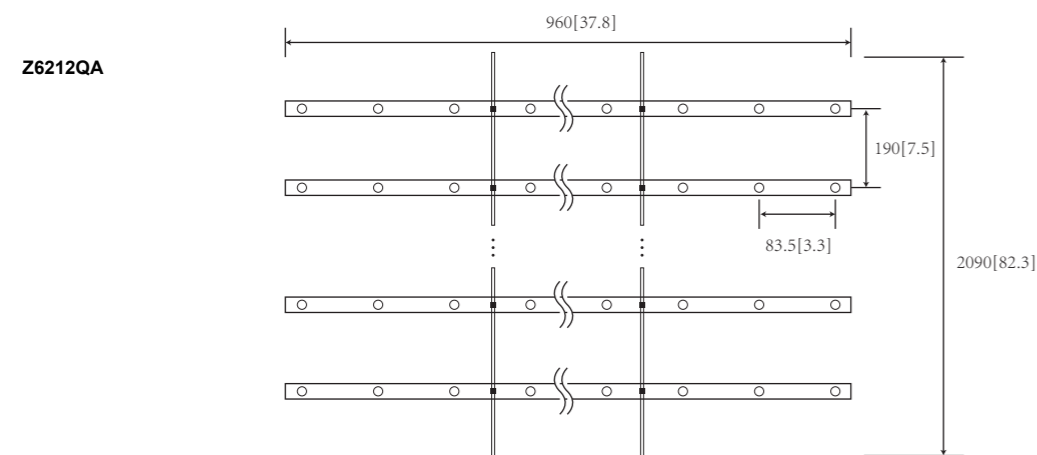
- Simple design, stable performance.
- Simple roller shutter structure design, easy to use.
- Large beam angle 160°, good uniformity.



Parameters

P/N	CCT	Voltage	Luminous Flux	Luminous Efficiency	Power	LEDs	Max Run	Size
Z6212QA	7500K	DC 12V	1150Lm/pcs	95Lm/W	12W/pcs	12	10	960*17mm

Dimension (Unit):mm(inch)



Application



6~20cm depth

LED Rigid Bar

ZL6206 / 10 / 12 TA-K ZL6206 / 10 / 12 TC-K

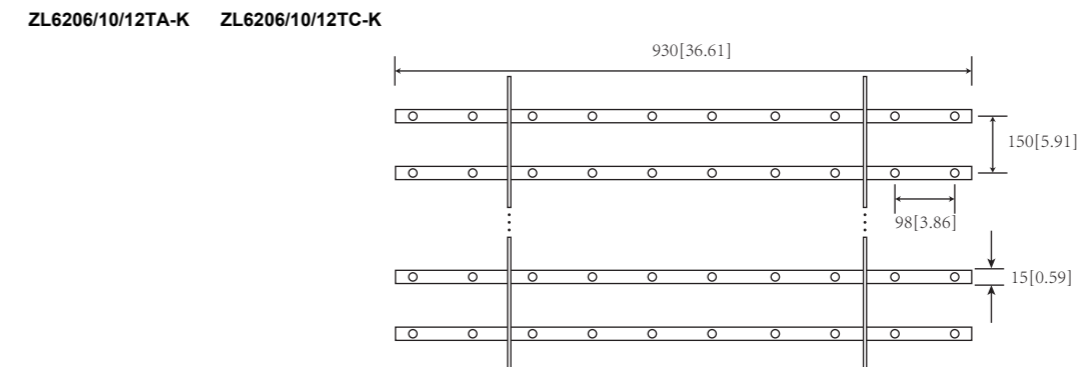
- Single LED uses three big chips, high brightness.
- Large angle lens, uniform light.
- Various colors are available.
- The most cost-effective light source for indoor light box.



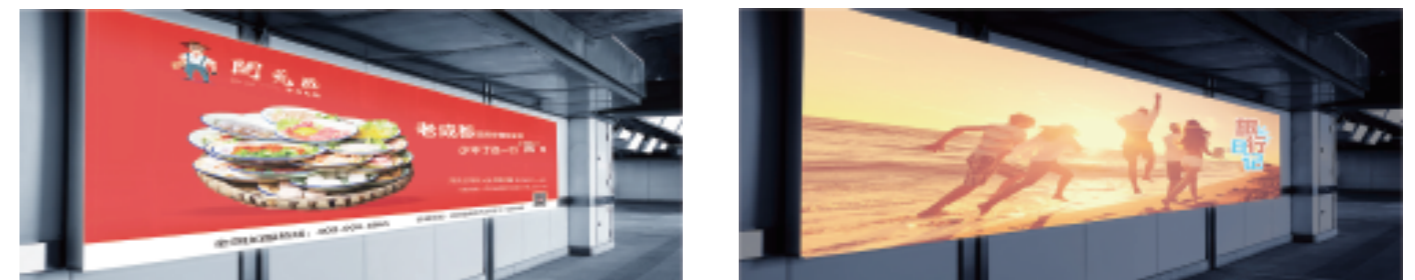
Parameters

P/N	CCT	Voltage	Luminous Flux	Luminous Efficiency	Power	LEDs	Max Run	Size
ZL6206/10/12TA-K	7000K	DC 12V	1000Lm/pcs	100Lm/W	10W/pcs	10	10	930*15mm
ZL6206/10/12TC-K	7000K	DC 24V	1000Lm/pcs	100Lm/W	10W/pcs	10	10	930*15mm

Dimension (Unit):mm(inch)



Application



6~10cm depth

LED Rigid Bar

ZL7006 / 10 / 12 TA-K ZL7006 / 10 / 12 TC-K

- Cost-effective large angle LED light bar.
- High brightness, light efficacy up to 100lm/W.
- IP65 high protection.

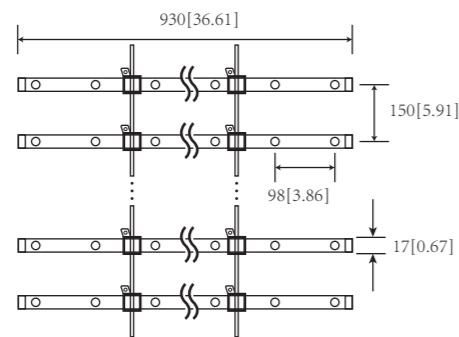


Parameters

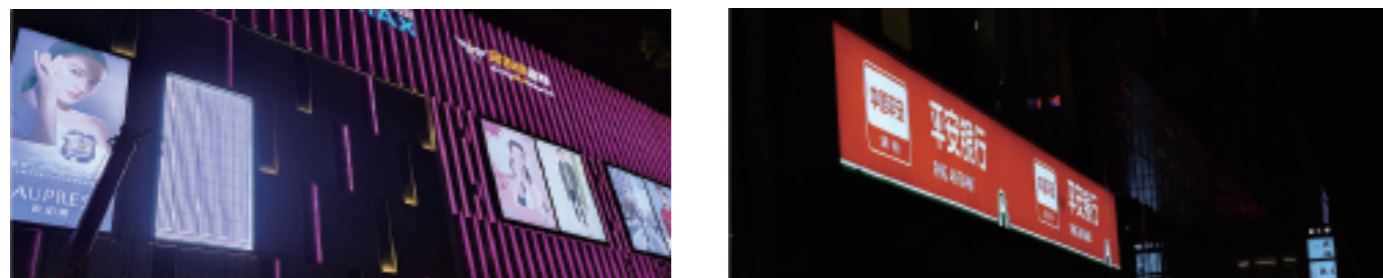
P/N	CCT	Voltage	Luminous Flux	Luminous Efficiency	Power	LEDs	Max Run	Size
ZL7006/10/12TA-K	7000K	DC 12V	950Lm/pcs	95Lm/W	10W/pcs	10	10	930*17mm
ZL7006/10/12TC-K	7000K	DC 24V	950Lm/pcs	95Lm/W	10W/pcs	10	10	930*17mm

Dimension (Unit):mm(inch)

ZL7006/10/12TA-K ZL7006/10/12TC-K



Application



6~15cm depth

LED Rigid Bar

ZL6312 / 14 TA-K ZL6312 / 14 TC-K

- Straight structure design process, more stable quality.
- Secondary optical distribution, more uniform light.
- Roller shutter structure design, easy installation.

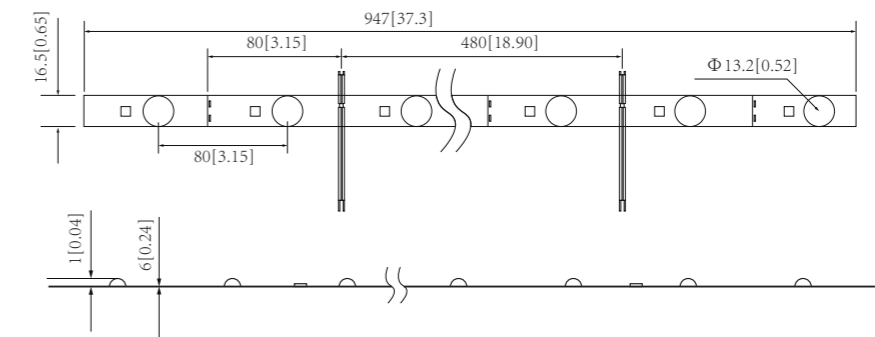


Parameters

P/N	CCT	Voltage	Luminous Flux	Luminous Efficiency	Power	LEDs	Max Run	Size
ZL6312/14TA-K	6500K	DC 12V	1120Lm/pcs	93Lm/W	12W/pcs	12	20	947*16.5mm
ZL6312/14TC-K	6500K	DC 24V	1120Lm/pcs	93Lm/W	12W/pcs	12	20	947*16.5mm

Dimension (Unit):mm(inch)

ZL6312/14TA-K ZL6312/14TC-K



Application



6~15cm depth

LED Rigid Bar

ZL7112TA-9A ZL7112TC-9A

- Secondary optical light distribution, uniform light.
- Flame retardant engineering plastics, high reliability.
- Roller shutter structure design, easy to install.
- High quality aluminum, good heat dissipation.

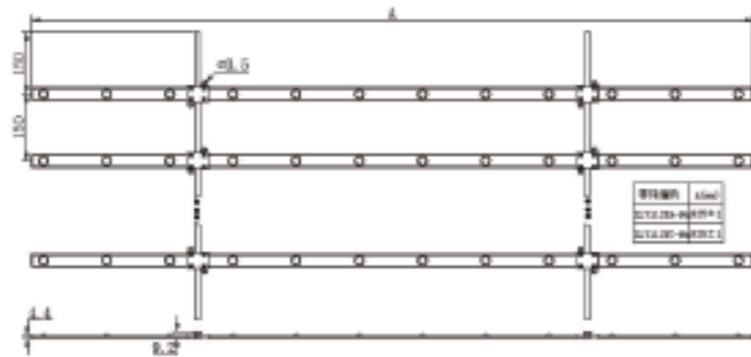


Parameters

P/N	CCT	Voltage	Luminous Flux	Luminous Efficiency	Power	LEDs	Max Run	Size
ZL7112TA-9A	7000K	DC 12V	1140Lm/pcs	95Lm/W	12W/pcs	12	10	925*16.6mm
ZL7112TC-9A	7000K	DC 24V	1140Lm/pcs	95Lm/W	12W/pcs	12	10	925*16.6mm

Dimension (Unit):mm(inch)

ZL7112TA-9A ZL7112TC-9A



Application



8~15cm depth

LED Rigid Bar

ZH7106THA-K ZH7112THA-K

- IP65 high protection.
- Secondary optical light distribution, uniform light.
- Flame retardant engineering plastics, high reliability.

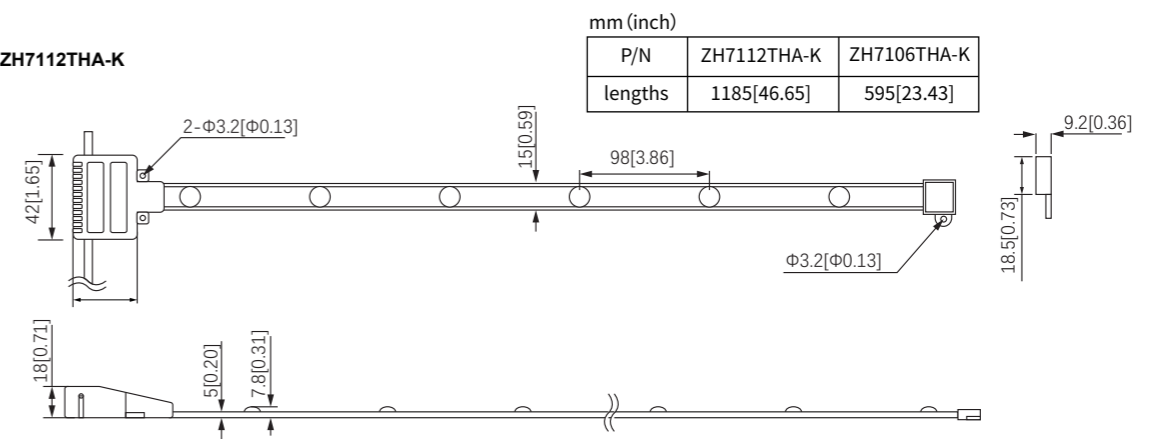


Parameters

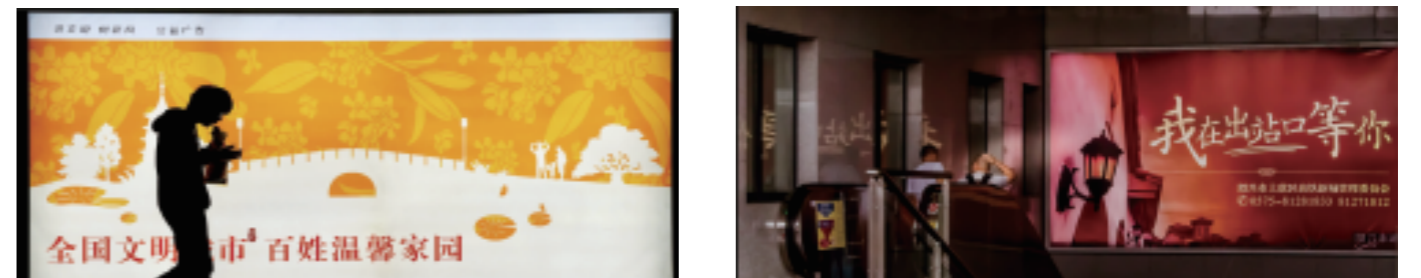
P/N	CCT	Voltage	Luminous Flux	Luminous Efficiency	Power	LEDs	Max Run	Size
ZH7106THA-K	6500K	AC 220V	575Lm/pcs	115Lm/W	5W/pcs	6	50	595*15mm
ZH7112THA-K	6500K	AC 220V	1150Lm/pcs	115Lm/W	10W/pcs	12	20	1185*15mm

Dimension (Unit):mm(inch)

ZH7106THA-K ZH7112THA-K



Application



8~15cm depth

LED Rigid Bar

ZH7406THA-K ZH7409THA-K
ZH7412THA-K ZH7414THA-K

- Secondary optical light distribution, uniform light.
- Flame retardant engineering plastics, high reliability.
- Good heat dissipation, long life.



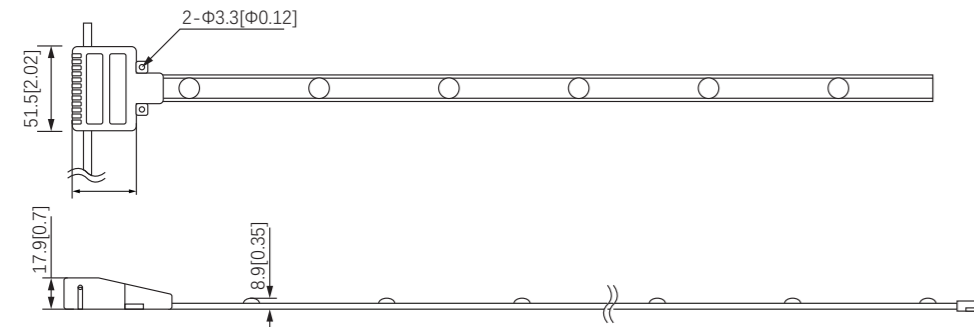
Parameters



P/N	CCT	Voltage	Luminous Flux	Luminous Efficiency	Power	LEDs	Max Run	Size
ZH7406THA-K	7000K	AC 220V	720Lm/pcs	120Lm/W	6W/pcs	6	10	487*16mm
ZH7409THA-K	7000K	AC 220V	1020Lm/pcs	120Lm/W	8.5W/pcs	9	10	727*16mm
ZH7412THA-K	7000K	AC 220V	1260Lm/pcs	120Lm/W	10.5W/pcs	12	10	957*16mm
ZH7414THA-K	7000K	AC 220V	1500Lm/pcs	120Lm/W	12.5W/pcs	14	10	1150*16.5mm

Dimension (Unit):mm(inch)

ZH7406THA-K ZH7409THA-K ZH7412THA-K ZH7414THA-K



P/N	lengths
ZH7406THA-K	487[19.17]
ZH7409THA-K	727[28.62]
ZH7412THA-K	957[37.67]
ZH7414THA-K	1150[45.27]

Application



10~40cm depth

LED Module

M906TD

- Secondary optical light distribution, only 4 modules for one square meter application.
- High brightness, good heat dissipation, energy saving.
- Various protection options.



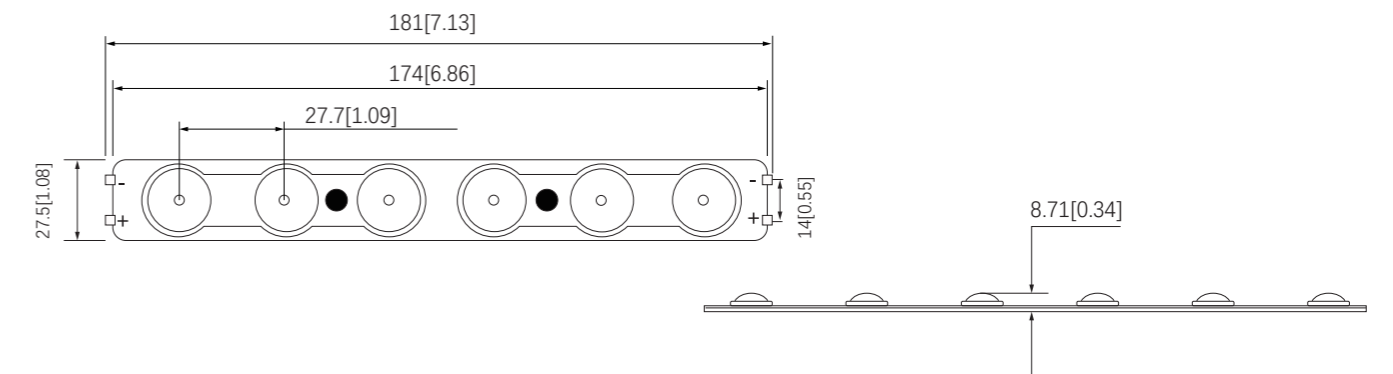
Parameters



P/N	CCT	Voltage	Luminous Flux	Luminous Efficiency	Power	LEDs	Max Run	Size
M906TD	7000K	DC 24V	450Lm/pcs	150Lm/W	3W/pcs	6	20	181*27.5mm

Dimension (Unit):mm(inch)

M906TD



Application



10~40cm depth

LED Module

MA06TD

- Secondary optical light distributoin, only 4 modules for one square meter application.
- High brightness, good heat dissipation, energy saving.
- Various protection options.

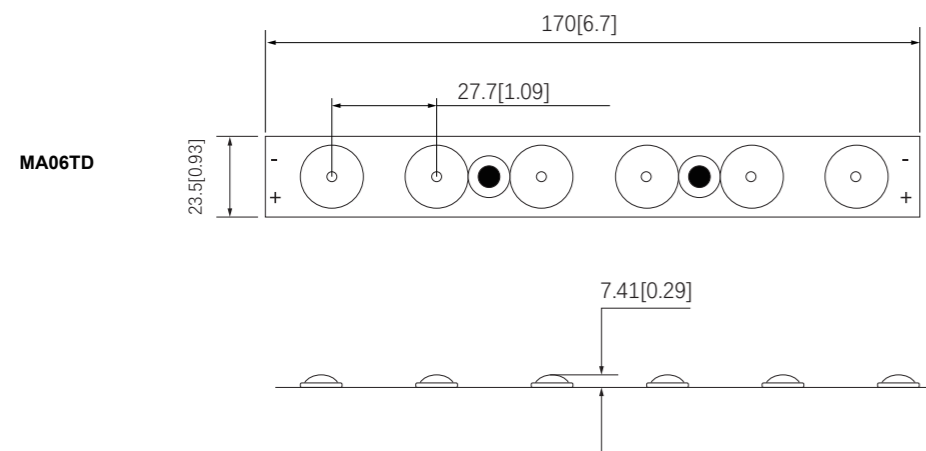


Parameters

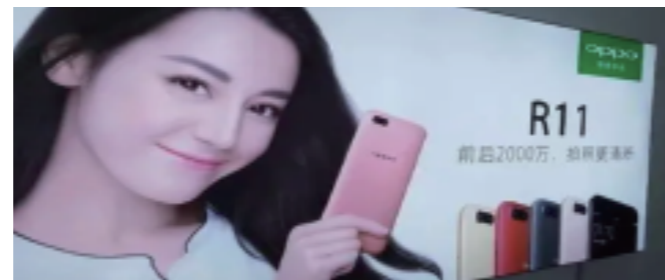


P/N	CCT	Voltage	Luminous Flux	Luminous Efficiency	Power	LEDs	Max Run	Size
MA06TD	6500K	DC 12V	450Lm/pcs	150Lm/W	3W/pcs	6	20	170*23.5mm

Dimension (Unit):mm(inch)



Application



8~12cm depth

LED Module

MKA14TC / MKA16QK

- Secondary optical light distributoin, only 4 modules for one square meter application.
- High brightness, good heat dissipation, energy saving.
- Various protection options.

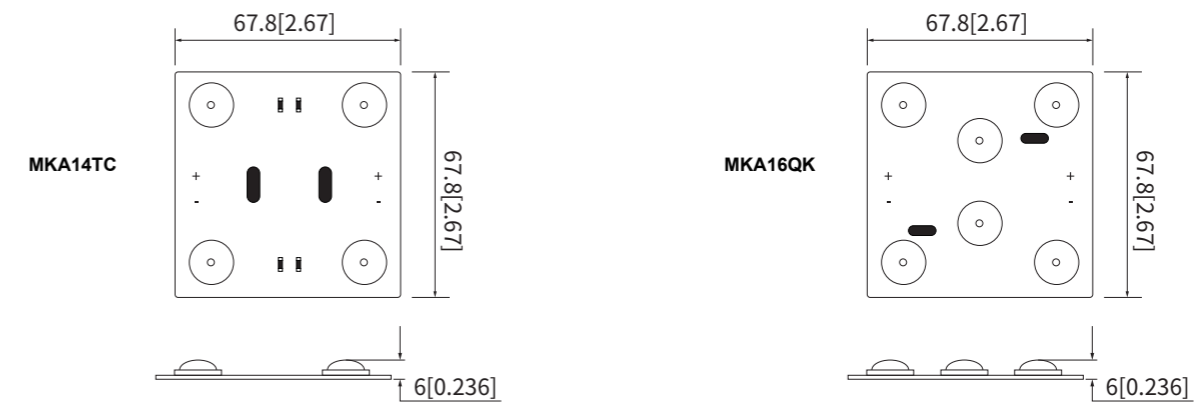


Parameters



P/N	CCT/Wave Length	Voltage	Luminous Flux	Luminous Efficiency	Power	LEDs	Max Run	Size
MKA14TC	6500K	DC 24V	396Lm/pcs	99Lm/W	4W/pcs	4	20	67.8*67.8mm
MKA16QK	R 620-625nm	DC 24V	105Lm/pcs	35Lm/W	3W/pcs	6	20	67.8*67.8mm
MKA16QK	G 525-530nm	DC 24V	105Lm/pcs	35Lm/W	3W/pcs	6	20	67.8*67.8mm
MKA16QK	B 525-530nm	DC 24V	105Lm/pcs	35Lm/W	3W/pcs	6	20	67.8*67.8mm

Dimension (Unit):mm(inch)



Application



10~20cm depth

LED Rigid Bar

Z7124TX

- LED rigid bar for light boxes at the metro, high-speed rail and airport.
- Branded light source, high-end constant current solution.
- Surface illuminance up to 3000lux, minimum power per square meter 36W/m².

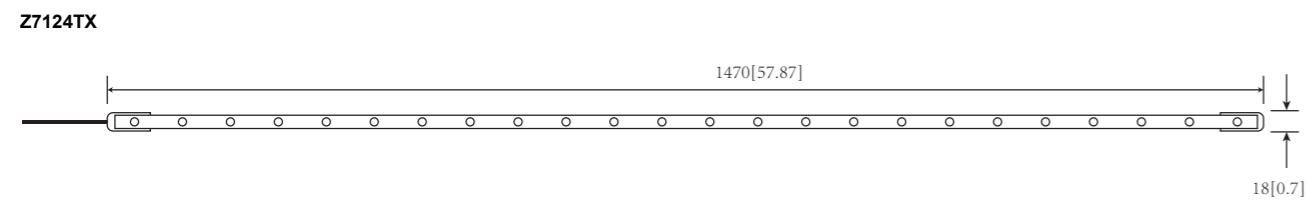


Parameters

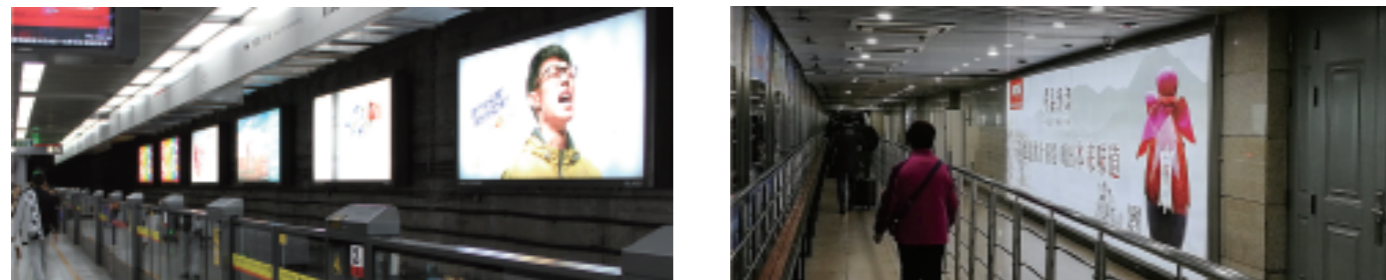


P/N	CCT	Voltage	Luminous Flux	Luminous Efficiency	Power	LEDs	Max Run	Size
Z7124TX	6500K	DC 36V	1170Lm/pcs	130Lm/W	9W/pcs	24	1	1470*18mm

Dimension (Unit):mm(inch)



Application



10~20cm depth

LED Rigid Bar

ZH2018THA-H / ZH2027THA-H / ZH2036THA-H

- Plastic insulation structure, protection against electric shock and leakage.
- Movable buckle design, fast and solid installation.

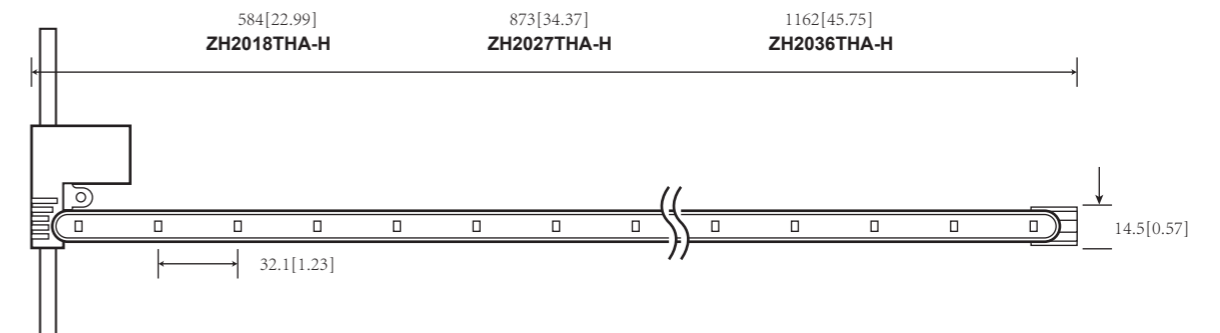


Parameters



P/N	CCT	Voltage	Luminous Flux	Luminous Efficiency	Power	LEDs	Max Run	Size
ZH2018THA-H	7000K	AC 220V	632Lm/pcs	115Lm/W	5.5W/pcs	18	15	584*14.5*9.8mm
ZH2027THA-H	7000K	AC 220V	955Lm/pcs	115Lm/W	8.3W/pcs	27	15	873*14.5*9.8mm
ZH2036THA-H	7000K	AC 220V	1265Lm/pcs	115Lm/W	11W/pcs	36	15	1162*14.5*9.8mm

Dimension (Unit):mm(inch)



Application



10~20cm depth

LED Rigid Bar

ZH2115THA-H / ZH2130THA-H

- Built-in constant current power supply, cost saving.
- 220V input voltage, fast installation and labor saving.
- Plastic insulation structure, protection against electric shock and leakage.

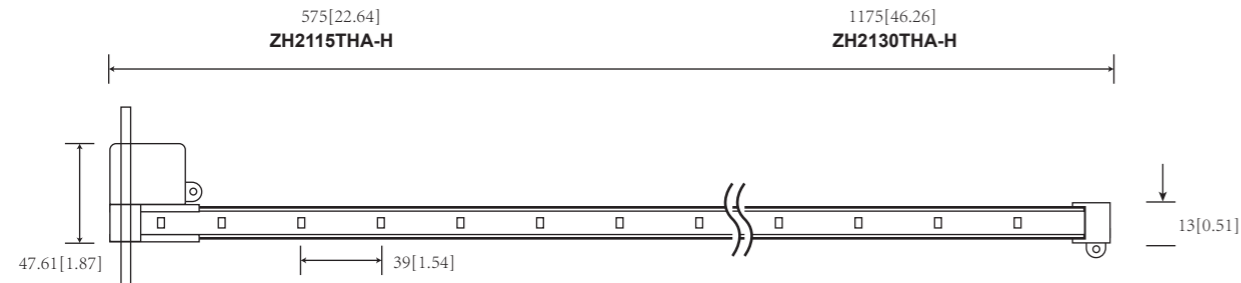


Parameters



P/N	CCT	Voltage	Luminous Flux	Luminous Efficiency	Power	LEDs	Max Run	Size
ZH2115THA-H	7000K	AC 220V	625Lm/pcs	125Lm/W	5W/pcs	15	20	575*13*8mm
ZH2130THA-H	7000K	AC 220V	1250Lm/pcs	125Lm/W	10W/pcs	30	20	1175*13*8mm

Dimension (Unit):mm(inch)



Application



10~20cm depth

LED Rigid Bar

Z1F18TA-A / Z1F30TA-A / Z1F36TA-A

- High-end aluminum profile, silica gel coating.
- Cost-effective.

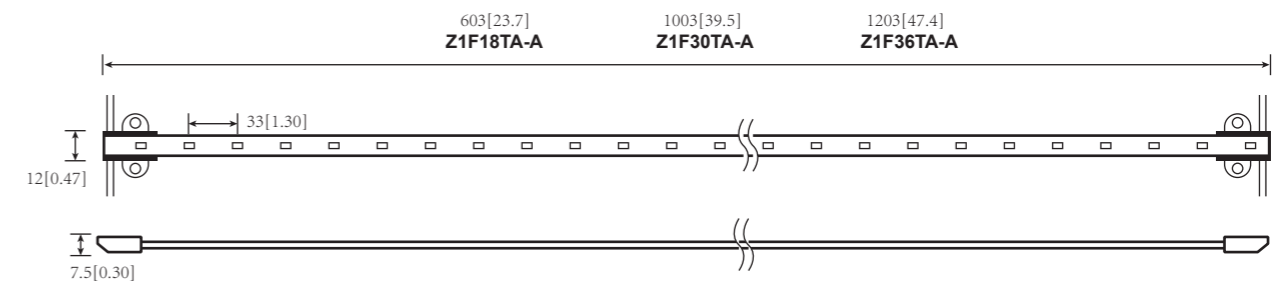


Parameters



P/N	CCT	Voltage	Luminous Flux	Luminous Efficiency	Power	LEDs	Max Run	Size
Z1F18TA-A	9000K	DC 12V	279Lm/pcs	71.5Lm/W	3.9W/pcs	18	20	600*12mm
Z1F30TA-A	9000K	DC 12V	470Lm/pcs	70Lm/W	6.7W/pcs	30	10	1000*12mm
Z1F36TA-A	9000K	DC 12V	542Lm/pcs	69.5Lm/W	7.8W/pcs	36	10	1200*12mm

Dimension (Unit):mm(inch)



Application





LED Light Box illumination

double side

► Rishang's double-sided light box light sources mainly adopt edge-lit straight bar structure, which can be widely used in rather deep double-sided light boxes with long lighting distance. The products use high-end brand LED diodes, high thermal conductive aviation aluminum substrate and wide angle optical design, and some of them can be flexibly cut and dimmed. The products have the advantages of high brightness, uniform light, low energy consumption, easy installation, making the the pictures of advertising light boxes look bright, uniform, clear and natural.

5~10cm depth

LED Module

M933QB

- Side-light module light box light source.
- five years warranty.



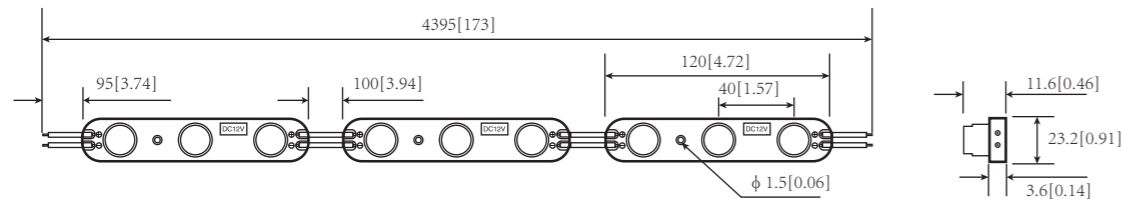
Parameters



P/N	CCT	Voltage	Luminous Flux	Luminous Efficiency	Power	LEDs	Max Run	Size
M933QB	6500K	DC 12V	250Lm/pcs	86Lm/W	2.88W/pcs	3	20	120*23.2*11.6mm

Dimension (Unit):mm(inch)

M933QB



Application



>10cm depth

LED Module

M901QB

- Edge-lit light source for light box.
- Cost-effective.



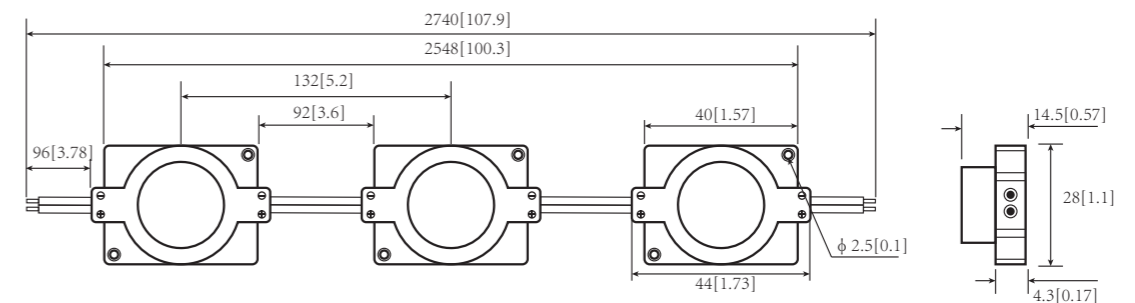
Parameters



P/N	CCT	Voltage	Luminous Flux	Luminous Efficiency	Power	LEDs	Max Run	Size
M901QB	6000K	DC 12V	100Lm/pcs	91Lm/W	1.2W/pcs	1	20	44*28*14.5mm

Dimension (Unit):mm(inch)

M901QB



Application



≥8cm depth

LED Module

M911QB-1

- Edge-lit light source for light box.
- Using 3030 high power LED, long life.
- Constant current technology, more stable.



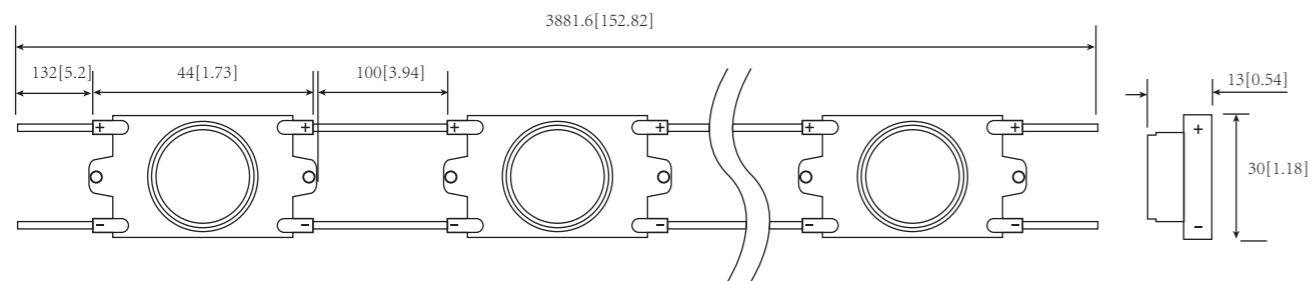
Parameters



P/N	CCT	Voltage	Luminous Flux	Luminous Efficiency	Power	LEDs	Max Run	Size
M911QB-1	6000K	DC 12V	188Lm/pcs	94Lm/W	2W/pcs	1	25	50*30*13.8mm

Dimension (Unit):mm(inch)

M911QB-1



Application

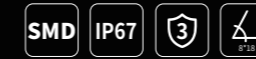


4~8cm depth

LED Module

MG903DB

- High power, 5w per module.
- Double-sided lighting.
- Surface uniformity up to 80%.



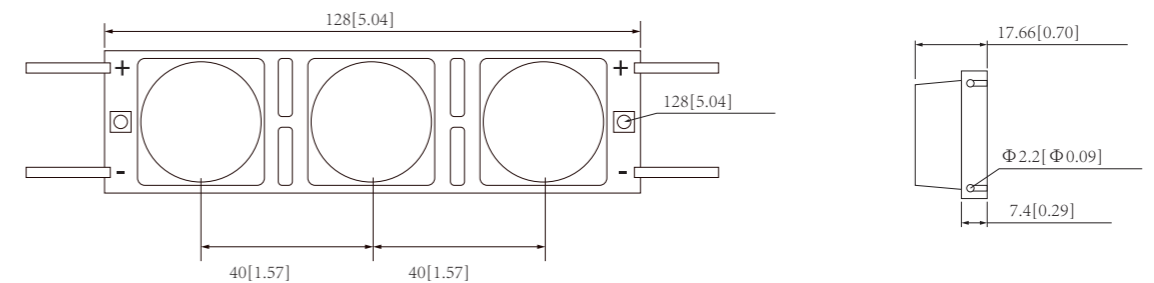
Parameters



P/N	CCT	Voltage	Luminous Flux	Luminous Efficiency	Power	LEDs	Max Run	Size
MG903DB	7000K	DC 12V	415Lm/pcs	83Lm/W	5W/pcs	3	15	128*32mm

Dimension (Unit):mm(inch)

MG903DB



Application



≥8cm depth

LED Rigid Bar

Z6110QA / Z6120QA

- High thermal conductivity aluminum board, good heat dissipation performance, safe and reliable.
- Can be cut every single LED, more convenient to use.

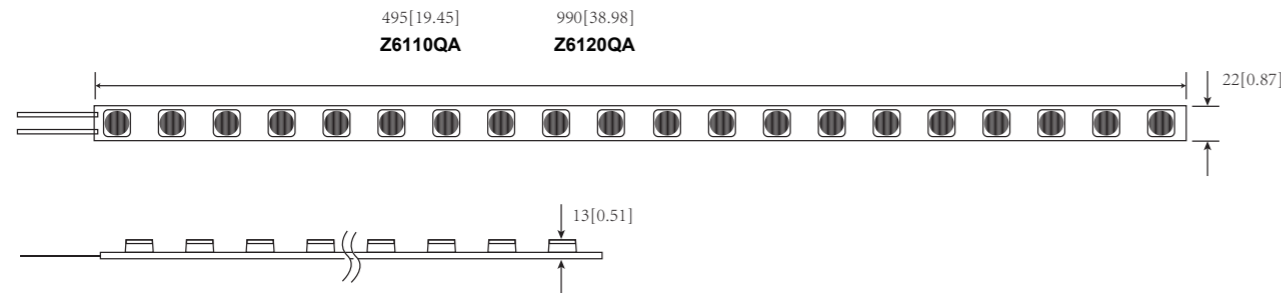


Parameters

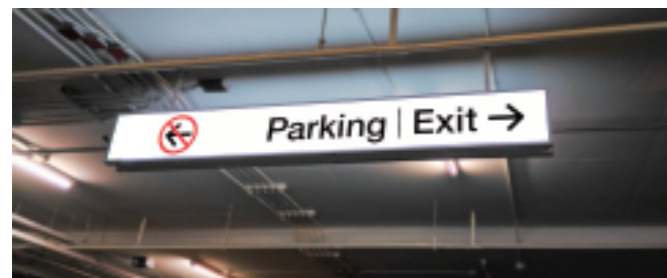


P/N	CCT	Voltage	Luminous Flux	Luminous Efficiency	Power	LEDs	Max Run	Size
Z6110QA	7000K	DC 12V	1710Lm/pcs	95Lm/W	18W/pcs	10	2	459*22*13mm
Z6120QA	7000K	DC 12V	3420Lm/pcs	95Lm/W	36W/pcs	20	1	990*22*13mm

Dimension (Unit):mm(inch)



Application



≥8cm depth

LED Rigid Bar

Z9110QA / Z9120QA

- Using aluminum-based PCB material and aluminum profile combined structure, good heat dissipation and long life.
- Silicone protection technology, safe and environment friendly, good protection, yellowing resistance.

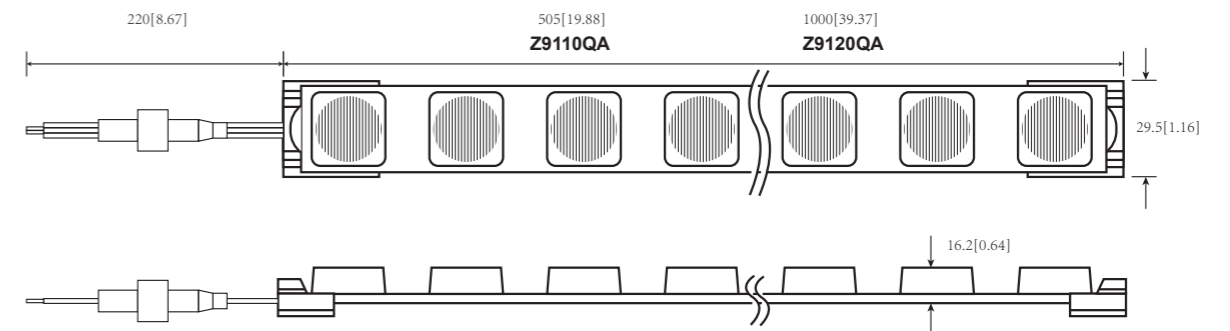


Parameters



P/N	CCT	Voltage	Luminous Flux	Luminous Efficiency	Power	LEDs	Max Run	Size
Z9110QA	7000K	DC 12V	1710Lm/pcs	95Lm/W	18W/pcs	10	1	505*29*16mm
Z9120QA	7000K	DC 12V	3420Lm/pcs	95Lm/W	36W/pcs	20	1	1000*29*16mm

Dimension (Unit):mm(inch)



Application



14-40cm depth

LED Rigid Bar

Z6203DD / Z6205DD / Z6207DD / Z6209DD

- Unique lens design for long size light box lighting, good uniform light.
- Dimmable, easy to be adjusted to the optimal brightness at different time period.
- Energy saving, environmentally friendly.

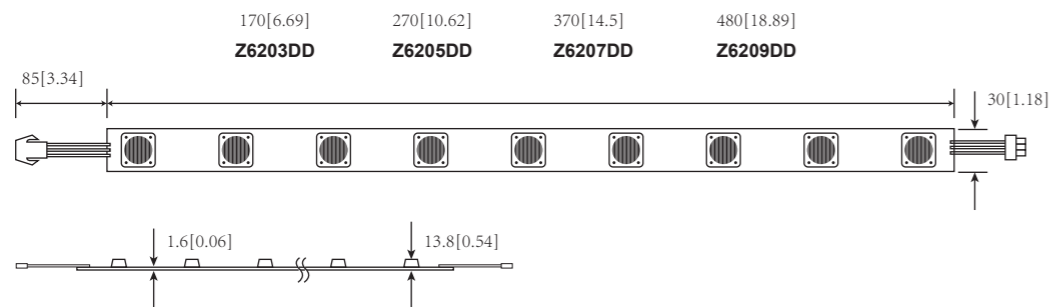


Parameters



P/N	CCT	Voltage	Luminous Flux	Luminous Efficiency	Power	LEDs	Max Run	Size
Z6203DD	6500K	DC 24V	712Lm/pcs	95Lm/W	8W/pcs	3	15	170*30mm
Z6205DD	6500K	DC 24V	1250Lm/pcs	100Lm/W	12.5W/pcs	5	9	270*30mm
Z6207DD	6500K	DC 24V	1750Lm/pcs	100Lm/W	17.5W/pcs	7	6	370*30mm
Z6209DD	6500K	DC 24V	2137Lm/pcs	95Lm/W	22.5W/pcs	9	5	480*30mm

Dimension (Unit):mm(inch)



Application



≥8cm depth

LED Rigid Bar

Z7003WD / Z7005WD

- Famous brand LED, high-end quality.
- Dimmable.
- IP65 protection, 5 years warranty.

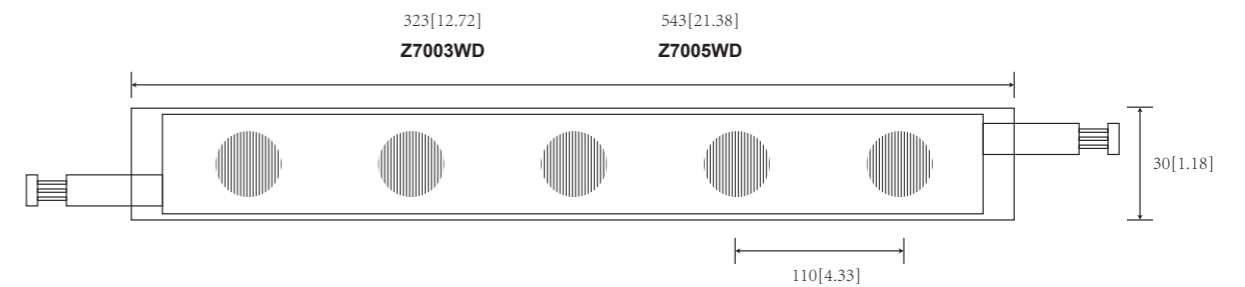


Parameters



P/N	CCT	Voltage	Luminous Flux	Luminous Efficiency	Power	LEDs	Max Run	Size
Z7003WD	6000K	DC 24V	720Lm/pcs	110Lm/W	6.5W/pcs	3	1	323*30mm
Z7005WD	6000K	DC 24V	1200Lm/pcs	110Lm/W	10.5W/pcs	5	1	543*30mm

Dimension (Unit):mm(inch)



Application



POWER SUPPLY

► Our products adopt advanced and stable circuit design, select brand components, and pass 100% full load aging test to ensure the high quality and stability of LED power supply. It can be widely used in indoor and outdoor advertising, signage, light box lighting and other scenes.



INPUT LED DRIVER
 MODEL: PE150-24
 PF > 0.95
 Constant Voltage Type

Input Voltage	100-240V
Input Current	1.81A Max

INPUT LED DRIVER For LED Only
 MODEL: PE150-24 Po: 150W
 PF > 0.95
 Constant Voltage Type SELV



OUTPUT

Input Voltage	100-240V~50/60Hz	Output Voltage	24V _{DC}
Input Current	1.81A Max	Output Current	6.25A

CAUTION:
 1. Do not put the product closely to heat source or flammable materials;
 2. Right installation for easy heat conduction;
 3. Do not touch the product when it's working.

RoHS IP68

ta: 55°C
 tc: 90°C

RED ⊕
 BLACK ⊖

Seven-year warranty S/N: 307-05-998 MADE IN CHINA

PE Series

12V/24V

IP67

30W / 60W / 100W / 150W / 200W / 240W / 300W / 320W / 400W

- Wide voltage input AC100-240V, suitable for multiple countries and regions.
- High efficiency, power factor $PF \geq 0.95$.
- Full series certification, certified by CCC, TUV-Mark, UKCA, CE, RoHS, RCM, CB.
- Equipped with overvoltage, overcurrent, and short-circuit protection functions.
- 5-year warranty.



Parameters

P/N	Input Voltage	Voltage	Power	Input Current	Output Current	Size	Weight
PE30-12-BC01	AC100-240V	DC12V	30W	$\leq 0.40A$	2.50A	170*40*29mm	0.35kg
PE30-24-BC01	AC100-240V	DC24V	30W	$\leq 0.40A$	1.25A	170*40*29mm	0.35kg
PE60-12-BC01	AC100-240V	DC12V	60W	$\leq 0.79A$	5.00A	153*68*37mm	0.62kg
PE60-24-BC01	AC100-240V	DC24V	60W	$\leq 0.79A$	2.50A	153*68*37mm	0.62kg
PE100-12-BC01	AC100-240V	DC12V	100W	$\leq 1.22A$	8.33A	163*68*37mm	0.69kg
PE100-24-BC01	AC100-240V	DC24V	100W	$\leq 1.22A$	4.17A	163*68*37mm	0.69kg
PE150-12-BC01	AC100-240V	DC12V	150W	$\leq 1.81A$	12.50A	185*68*37mm	0.79kg
PE150-24-BC01	AC100-240V	DC24V	150W	$\leq 1.81A$	6.25A	185*68*37mm	0.79kg
PE200-12-BC01	AC100-240V	DC12V	200W	$\leq 2.44A$	16.67A	217*68*37mm	0.98kg
PE200-24-BC01	AC100-240V	DC24V	200W	$\leq 2.44A$	8.33A	217*68*37mm	0.98kg
PE240-12-BC01	AC100-240V	DC12V	240W	$\leq 2.93A$	20.00A	217*68*37mm	0.98kg
PE240-24-BC01	AC100-240V	DC24V	240W	$\leq 2.93A$	10.00A	217*68*37mm	0.98kg
PE300-12-BC01	AC100-240V	DC12V	300W	$\leq 3.62A$	25.00A	251*86*42mm	1.66kg
PE300-24-BC01	AC100-240V	DC24V	300W	$\leq 3.62A$	12.50A	251*86*42mm	1.66kg
PE320-12-BC01	AC100-240V	DC12V	320W	$\leq 3.86A$	26.66A	251*86*42mm	1.66kg
PE320-24-BC01	AC100-240V	DC24V	320W	$\leq 3.86A$	13.32A	251*86*42mm	1.66kg
PE400-12-BC01	AC100-240V	DC12V	400W	$\leq 4.78A$	33.32A	251*86*42mm	1.66kg
PE400-24-BC01	AC100-240V	DC24V	400W	$\leq 4.78A$	16.66A	251*86*42mm	1.66kg

PA Series

12V/24V

IP20

100W / 200W / 300W / 400W

- Ultra-thin, thickness only 22mm.
- Fanless design, no noise.
- Over-voltage, over-current and short-circuit protection function.
- 3 years warranty, can provide third party quality inspection report.



Parameters

P/N	Input Voltage	Voltage	Power	Input Current	Output Current	Size	Weight
PA100-12	AC200-240V	DC12V	100W	$\leq 1.2A$	8.3A	415*398*268mm	0.224kg
PA100-24	AC200-240V	DC24V	100W	$\leq 1.2A$	4.16A	415*398*268mm	0.224kg
PA200-12	AC200-240V	DC12V	200W	$\leq 2.5A$	16.7A	415*398*268mm	0.288kg
PA200-24	AC200-240V	DC24V	200W	$\leq 2.5A$	8.3A	415*398*268mm	0.288kg
PA300-12	AC200-240V	DC12V	300W	$\leq 3.2A$	25A	380*360*240mm	0.379kg
PA300-24	AC200-240V	DC24V	300W	$\leq 3.2A$	12.5A	380*360*240mm	0.379kg
PA400-12	AC200-240V	DC12V	400W	$\leq 4.5A$	33.3A	380*360*240mm	0.499kg
PA400-24	AC200-240V	DC24V	400W	$\leq 4.5A$	16.7A	380*360*240mm	0.499kg

PL Series

12V/24V

100W / 200W / 300W / 400W

- Wide voltage input.
- Working temperature range -25°C~+60°C.
- Have OCP, SCP protection function.



Parameters

P/N	Input Voltage	Voltage	Power	Input Current	Output Current	Size	Weight
PL100-12	AC200-240V	DC12V	100W	≤1.2A	8.3A	124*74*38mm	0.248kg
PL100-24	AC200-240V	DC24V	100W	≤1.2A	4.16A	124*74*38mm	0.248kg
PL200-12	AC200-240V	DC12V	200W	≤2.5A	16.7A	171*91*51.5mm	0.41kg
PL300-12	AC200-240V	DC12V	300W	≤3.2A	25A	171*91*51.5mm	0.43kg
PL400-12	AC200-240V	DC12V	400W	≤4.5A	33A	185*120*51.5mm	0.54kg
PL400-24	AC200-240V	DC24V	400W	≤4.5A	16.6A	185*120*51.5mm	0.54kg

PB Series

12V/24V

200W / 400W

- Semi-potted process, moisture-proof, rain-proof, corrosion-proof.
- Cost-effective, high reliability, can provide third-party quality inspection report.
- Fanless, silent design.
- Over-voltage, over-current and short-circuit protection function.
- 3 years warranty.



Parameters

P/N	Input Voltage	Voltage	Power	Input Current	Output Current	Size	Weight
PB200-12	AC200-240V	DC12V	200W	≤2.5A	16.7A	185*95*49mm	0.678 kg
PB200-24	AC200-240V	DC24V	200W	≤2.5A	8.3A	185*95*49mm	0.678 kg
PB400-12	AC200-240V	DC12V	400W	≤4.5A	33.3A	216*118*51mm	0.978 kg
PB400-24	AC200-240V	DC24V	400W	≤4.5A	16.7A	216*118*51mm	0.978 kg

PJ Series

12V/24V

400W

- Voltage input.
- Working temperature range -35°C~+60°C
- Have OCP, OTP protection function.



Parameters

P/N	Input Voltage	Voltage	Power	Input Current	Output Current	Size	Weight
PJF400-12A-B01	AC200-240V	DC12V	400W	≤4.5A	33.3A	183.5*116*47.5mm	0.42kg
PJF400-24A-B01	AC200-240V	DC24V	400W	≤4.5A	16.7A	183.5*116*47.5mm	0.42kg

PJ Series

12V/24V

400W

- Voltage input.
- Working temperature range -35°C~+60°C
- Have OCP, OTP protection function.



Parameters

P/N	Input Voltage	Voltage	Power	Input Current	Output Current	Size	Weight
PJF400-12B-B01	AC200-240V	DC12V	400W	≤4.5A	33.3A	200*118*51mm	0.65kg
PJF400-24B-B01	AC200-240V	DC24V	400W	≤4.5A	16.7A	200*118*51mm	0.65kg